

# LITTLE PIGGY ON BIKE STORAGE

## Tools required

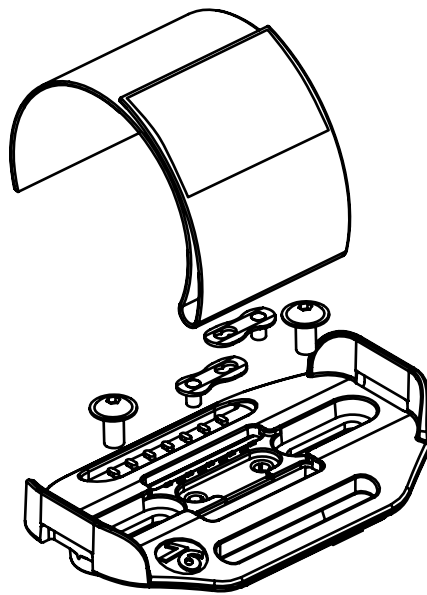
3mm allen key for direct mount only

## Supplied

- 1** - Little Piggy platform
- 2** - Adjustable tool strap
- 3** - Rubber coated frame strap (frame mount only)
- 4** - Silicone inserts (frame mount only)
- 5** - Stainless screws & optional spacers
- 6** - Silicone Tool band
- 7** - **PIGGY POUCH** heavy duty dry bag (available seperately)

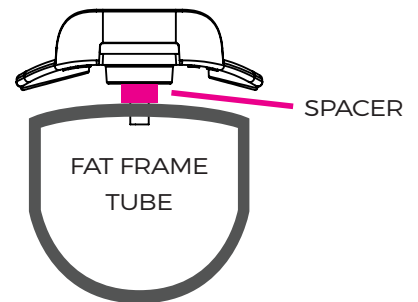


Direct  
Mount



Fit it to standard bottle mount bosses using the supplied m5 screws.

Use the optional spacers to create space for cables or allow easier access to the strap slot.



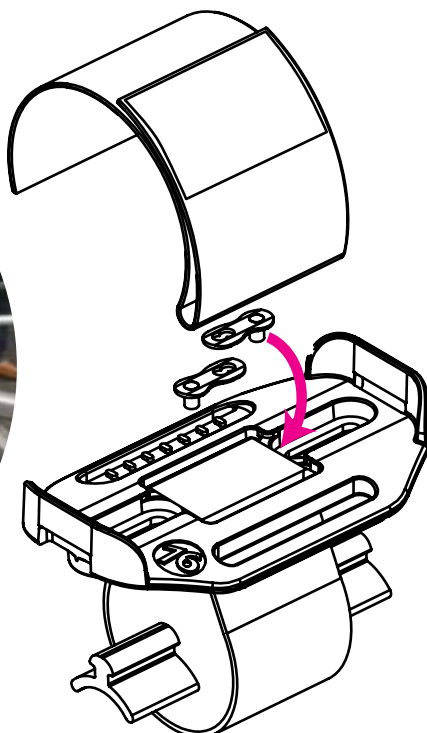
Fit anywhere on the frame. Lower is better!

Silicone inserts can be installed with a tyre lever or handle of a spoon.

The rubber coated strap is oversize to fit the fattest tubes. Cut it to length or tuck it inside.



Strap on  
mount





### Adjusting strap

Open out the strap as shown  
Pull on the ends to alter length to suit tool bundle.



### Bundle Example

Use the silicone tool band for bundles. We recommend a spare tube, multitool and tyre lever with a CO2 inflator or mini pump strapped separately.

For small items like keys, patches, zip ties, the **PIGGY POUCH** is useful as well as keeping everything weatherproof.



### Tension strap

Place bundle onto platform and thread strap through slot.

**IMPORTANT!** Pull the strap over the bundle in stages to remove any slack.



### Aligning strap

Place bundle onto platform and thread strap through slot.  
Aim to have the edge of the rough velcro next to the slot.

You may have to readjust the strap length a couple of times initially.



### Cover up

Velcro should be completely covered to stop mud and dirt clogging it up.

### Care info

Temporarily check screws and tighten if necessary.

Strap and **PIGGY POUCH** may be cleaned, using clean soapy water and allowed to drip dry only.

