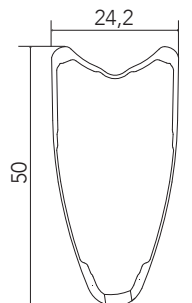



BORA ULTRA 50

TUBULAR

BORA ULTRA 50

TUBULAR

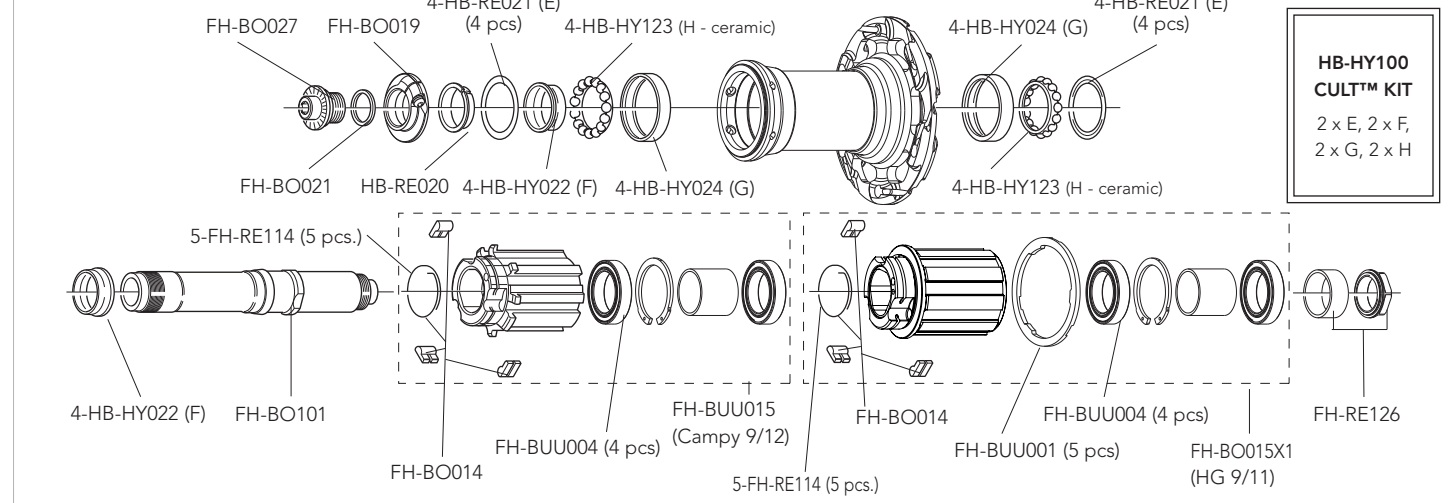
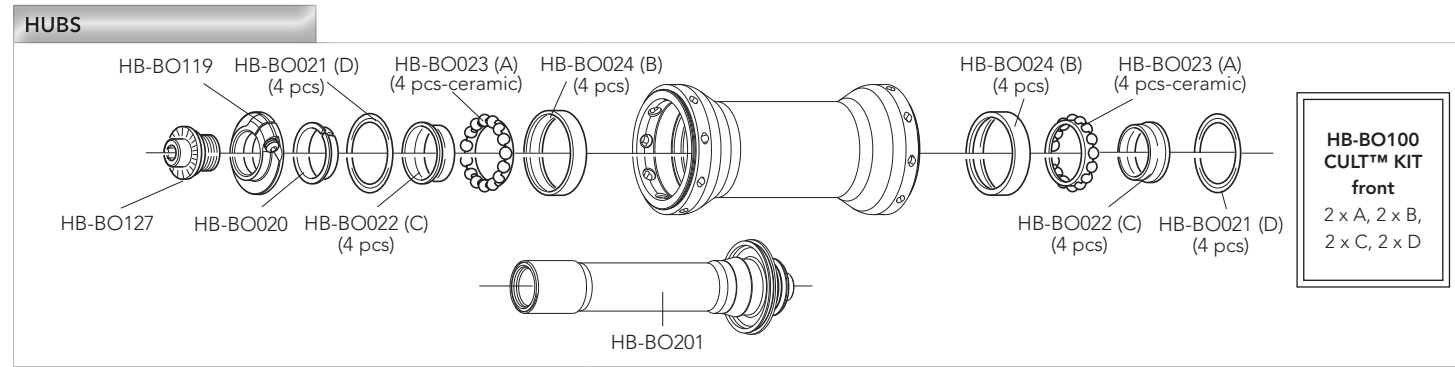
RIM		
	FRONT RIM	WH-101BO50 (bright) / WH-101BO50DK (dark)
	REAR RIM	WH-102BO50 (bright) / WH-102BO50DK (dark)
	VALVE HOLE	6,5 mm
	VALVE HOLE BUSHING	WH-BUU002 (5 pcs.) 
	VALVE EXTENSION	UT-HU150
	DIAMETER	634 mm
	BRAKE PADS	for carbon rims - BR-BO500 (for brakes with retention spring or interference fixing) - BR-BO500X1 (for brakes with screw fixing)

SPOKES		
FRONT / REAR LH SPOKE	WH-016BOT50	4 spokes + 4 nipples
REAR RH SPOKE	WH-019BOT50	4 spokes + 4 nipples
NIPPLES	WH-015BO80	black - 10 pieces
NIPPLE INSERT	UT-WH160	magnet-attractor for nipple
NIPPLE MAGNET	UT-WH050	nipple-guide
SPOKE SPANNER	UT-WH090	spoke wrenches

ACCESSORIES		
Spacer for HG11 FW body	FH-BUU001	5 pcs - to be used only with 9/10s sprockets <i>(please note that every HG11 rear wheel/FW body package contains the spacer)</i>

! WARNING!

Because of the high temperatures reached when braking, we recommend you use only glue for tubular tires specifically for carbon fibre rims.
A causa delle alte temperature raggiunte in frenata, vi consigliamo di utilizzare solamente colla per tubolari che sia specifica per i soli cerchi in fibra di carbonio.

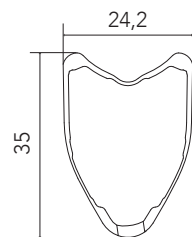



QUICK-RELEASES	QR12-BUUBFR	front + rear
----------------	-------------	--------------

BORA ULTRA 35

TUBULAR

RIM



FRONT RIM	WH-201BO35 (bright) - WH-201BO35DK (dark)
REAR RIM	WH-202BO35 (bright) - WH-202BO35DK (dark)
VALVE HOLE	6,5 mm
VALVE HOLE BUSHING	WH-BUU002 (5 pcs.) 
DIAMETER	634 mm
BRAKE PADS	for carbon rims - BR-BO500 (for brakes with retention spring or interference fixing) - BR-BO500X1 (for brakes with screw fixing)

SPOKES

FRONT / REAR LH SPOKE	WH-020BOC35	4 spokes + 4 nipples
REAR RH SPOKE	WH-021BOC35	4 spokes + 4 nipples
NIPPLES	WH-015BO80	black - 10 pieces
NIPPLE INSERT	UT-WH160	magnet-attractor for nipple
NIPPLE MAGNET	UT-WH050	nipple-guide
SPOKE SPANNER	UT-WH090	spoke wrenches

ACCESSORIES

Spacer for HG11 FW body	FH-BUU001	5 pcs - to be used only with 9/10s sprockets <i>(please note that every HG11 rear wheel/FW body package contains the spacer)</i>
-------------------------	-----------	---

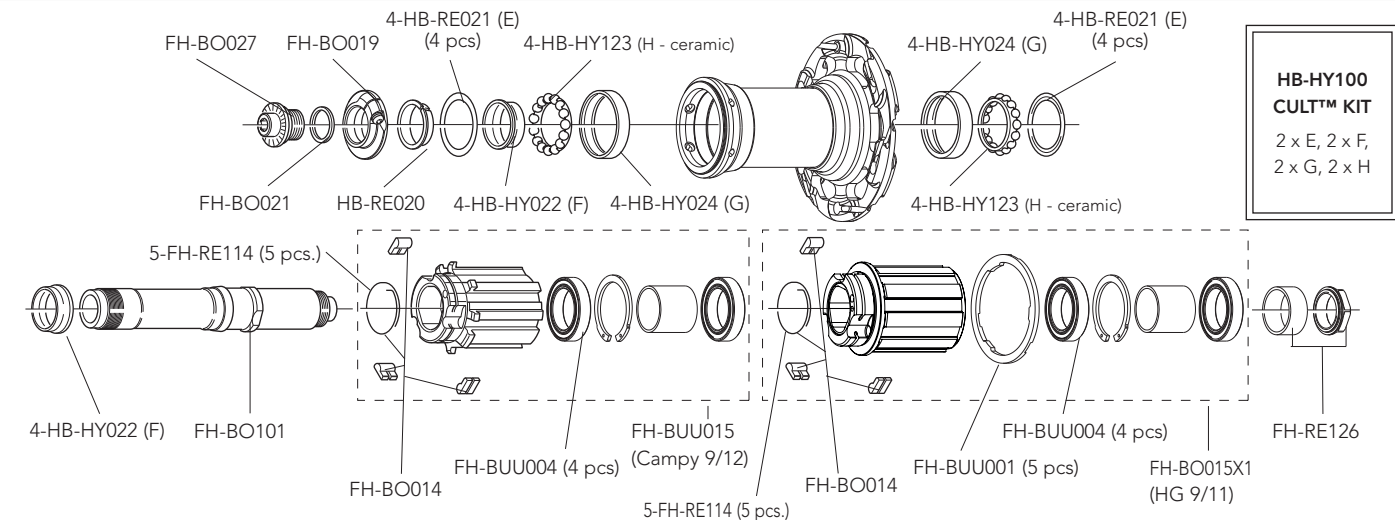
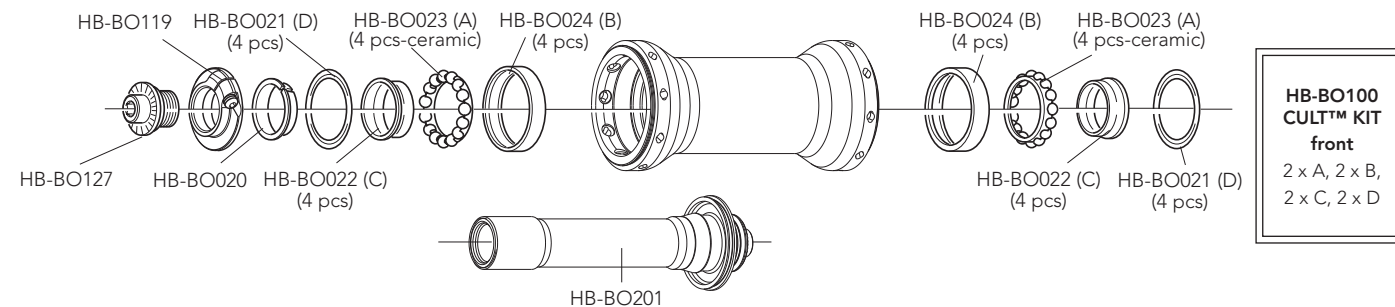
WARNING!

Because of the high temperatures reached when braking, we recommend you use only glue for tubular tires specifically for carbon fibre rims.
A causa delle alte temperature raggiunte in frenata, vi consigliamo di utilizzare solamente colla per tubolari che sia specifica per i soli cerchi in fibra di carbonio.

BORA ULTRA 35

TUBULAR

HUBS



QUICK-RELEASES	QR12-BUUBFR	front + rear
----------------	-------------	--------------

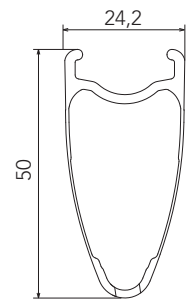
BORA ULTRA 50

CLINCHER

BORA ULTRA 50

CLINCHER

RIM



FRONT RIM	WH-103BO50 (bright) / WH-103BO50DK (dark)
REAR RIM	WH-104BO50 (bright) / WH-104BO50DK (dark)
VALVE HOLE	6,5 mm
VALVE HOLE BUSHING	WH-BUU002 (5 pcs.)
VALVE EXTENSION	UT-HU150
DIAMETER	700C (622 x 17C)
BRAKE PADS	for carbon rims - BR-BO500 (for brakes with retention spring or interference fixing) - BR-BO500X1 (for brakes with screw fixing)

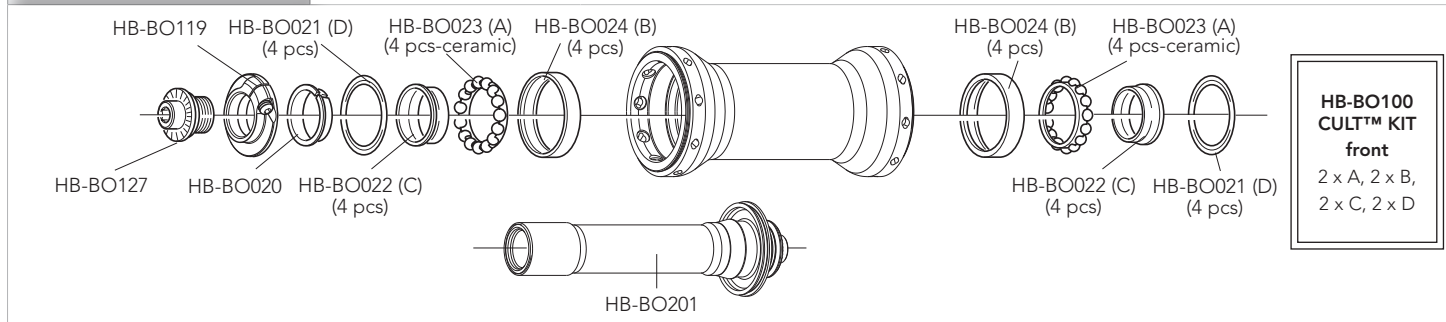
SPOKES

FRONT / REAR LH SPOKE	WH-016BOT50	4 spokes + 4 nipples
REAR RH SPOKE	WH-019BOT50	4 spokes + 4 nipples
NIPPLES	WH-015BO80	black - 10 pieces
NIPPLE INSERT	UT-WH160	magnet-attractor for nipple
NIPPLE MAGNET	UT-WH050	nipple-guide
SPOKE SPANNER	UT-WH090	spoke wrenches

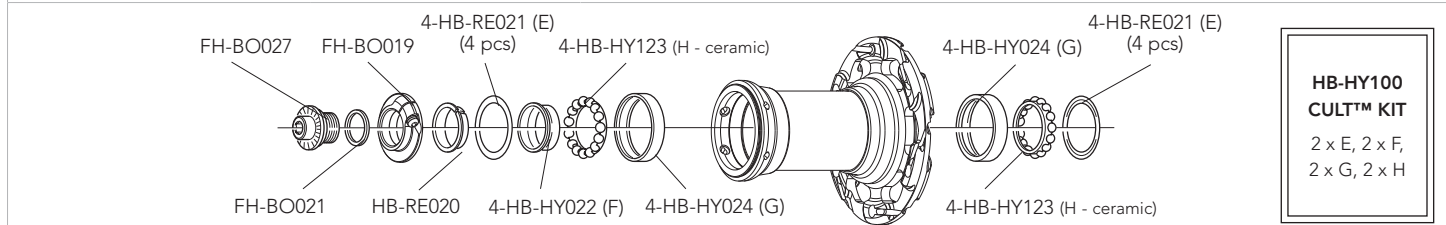
ACCESSORIES

Spacer for HG11 FW body	FH-BUU001	5 pcs - to be used only with 9/10s sprockets (please note that every HG11 rear wheel/FW body package contains the spacer)
-------------------------	-----------	--

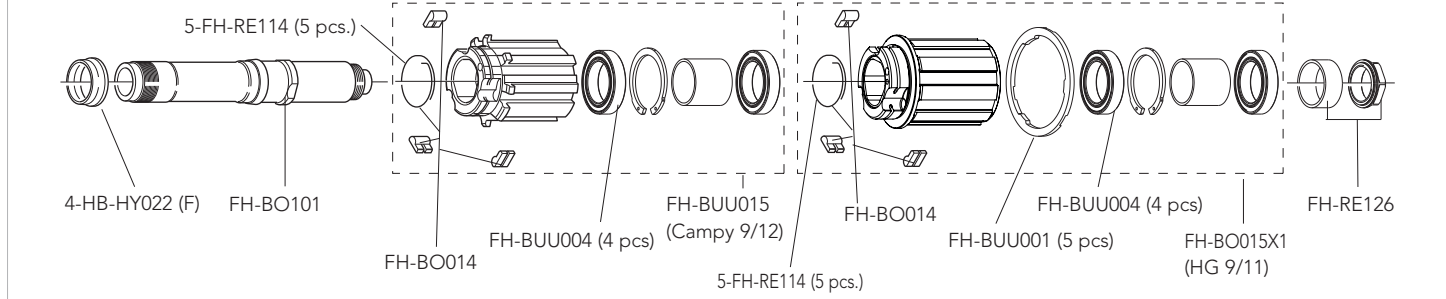
HUBS



**HB-BO100
CULT™ KIT
front**
2 x A, 2 x B,
2 x C, 2 x D



**HB-HY100
CULT™ KIT**
2 x E, 2 x F,
2 x G, 2 x H



QUICK-RELEASES	QR12-BUUBFR	front + rear
----------------	-------------	--------------

WHEELS

WHEELS

BORA ULTRA 35

CLINCHER

BORA ULTRA 35

CLINCHER

RIM		
	FRONT RIM	WH-103BO35 (bright) - WH-103BO35DK (dark)
	REAR RIM	WH-104BO35 (bright) - WH-104BO35DK (dark)
	VALVE HOLE	6,5 mm
	VALVE HOLE BUSHING	WH-BUU002 (5 pcs.)
	DIAMETER	700C (622 x 17C)
	BRAKE PADS	for carbon rims - BR-BO500 (for brakes with retention spring or interference fixing) - BR-BO500X1 (for brakes with screw fixing)

SPOKES		
FRONT / REAR LH SPOKE	WH-020BOC35	4 spokes + 4 nipples
REAR RH SPOKE	WH-021BOC35	4 spokes + 4 nipples
NIPPLES	WH-015BO80	black - 10 pieces
NIPPLE INSERT	UT-WH160	magnet-attractor for nipple
NIPPLE MAGNET	UT-WH050	nipple-guide
SPOKE SPANNER	UT-WH090	spoke wrenches

ACCESSORIES		
Spacer for HG11 FW body	FH-BUU001	5 pcs - to be used only with 9/10s sprockets (please note that every HG11 rear wheel/FW body package contains the spacer)

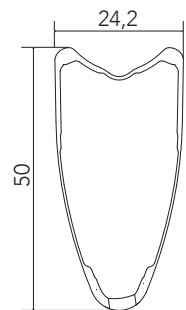
HUBS

HB-BO100 CULT™ KIT front
2 x A, 2 x B, 2 x C, 2 x D

HB-HY100 CULT™ KIT
2 x E, 2 x F, 2 x G, 2 x H

QUICK-RELEASES QR12-BUUBFR front + rear

RIM



VALVE HOLE	6,5 mm
VALVE EXTENSION	UT-HU150
VALVE HOLE BUSHING	WH-BUU002
DIAMETER	634 mm
BRAKE PADS	for carbon rims - BR-BO500 (for brakes with retention spring or interference fixing) - BR-BO500X1 (for brakes with screw fixing)

SPOKES

FRONT / REAR LH SPOKE	WH-016BOT50	4 spokes + 4 nipples
REAR RH SPOKE	WH-019BOT50	4 spokes + 4 nipples
NIPPLES	WH-015BO80	black - 10 pieces
NIPPLE INSERT	UT-WH160	magnet-attractor for nipple
NIPPLE MAGNET	UT-WH050	nipple-guide
SPOKE SPANNER	UT-WH090	spoke wrenches

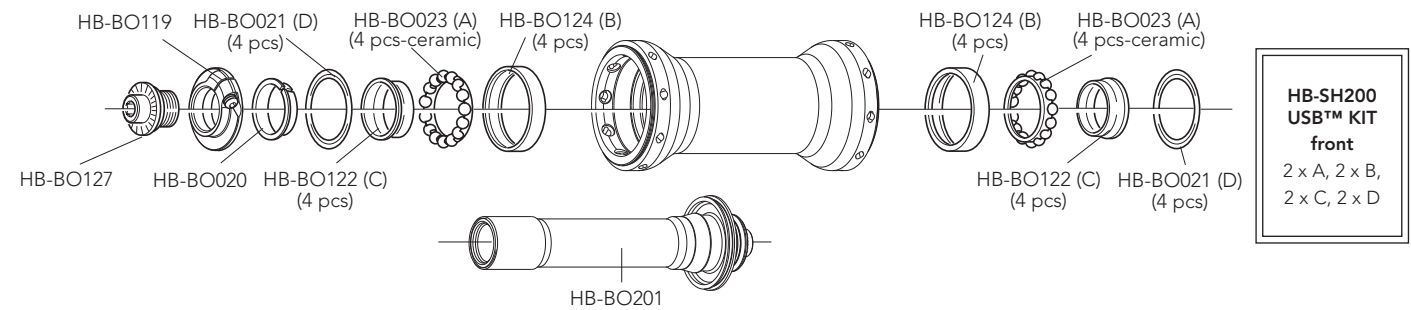
ACCESSORIES

Spacer for HG11 FW body	FH-BUU001	5 pcs - to be used only with 9/10s sprockets <i>(please note that every HG11 rear wheel/FW body package contains the spacer)</i>
-------------------------	-----------	---

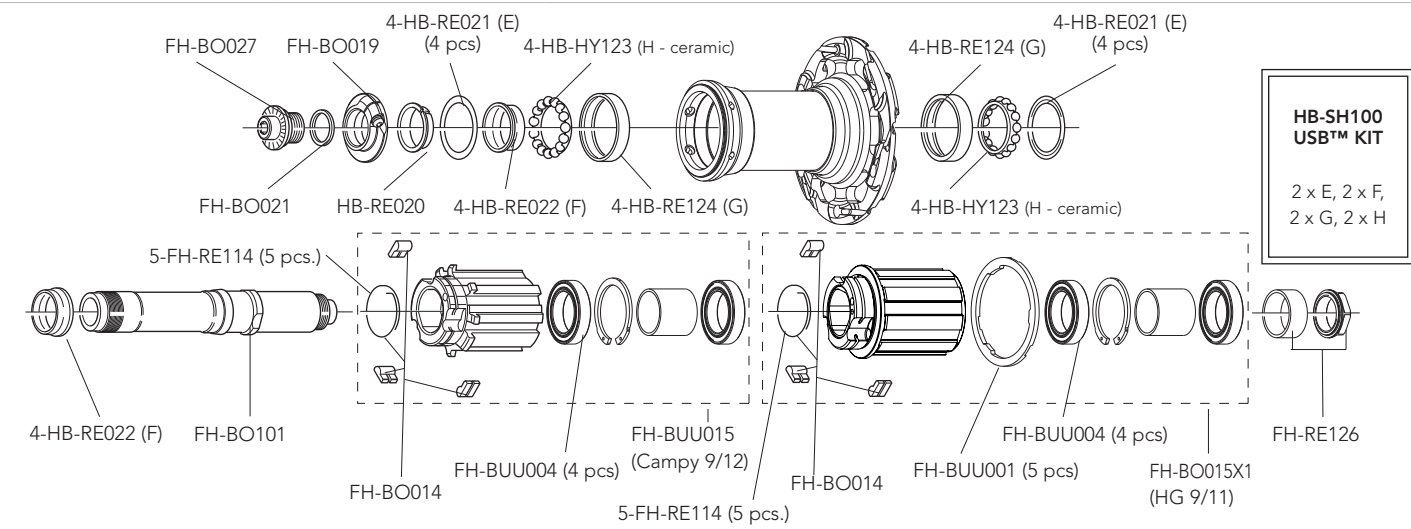
WARNING!

Because of the high temperatures reached when braking, we recommend you use only glue for tubular tires specifically for carbon fibre rims.
A causa delle alte temperature raggiunte in frenata, vi consigliamo di utilizzare solamente colla per tubolari che sia specifica per i soli cerchi in fibra di carbonio.

HUBS

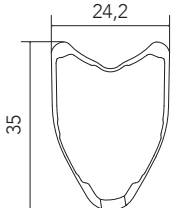



HB-SH200 USB™ KIT front
2 x A, 2 x B, 2 x C, 2 x D



HB-SH100 USB™ KIT
2 x E, 2 x F, 2 x G, 2 x H

QUICK-RELEASES	QR12-BUUBFR	front + rear
----------------	-------------	--------------

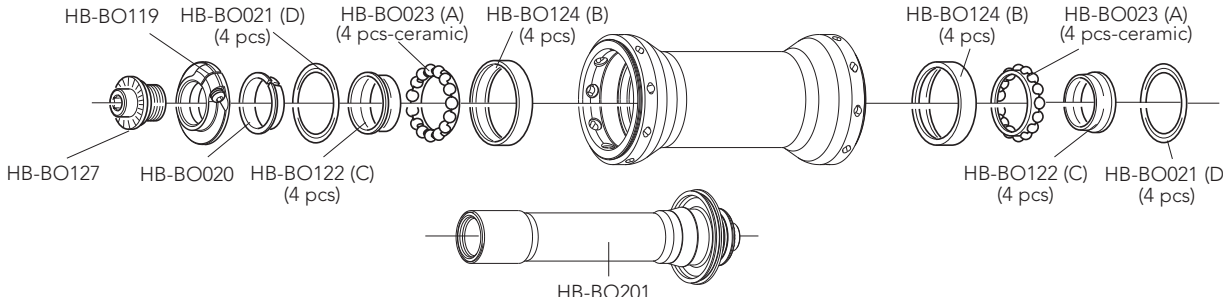
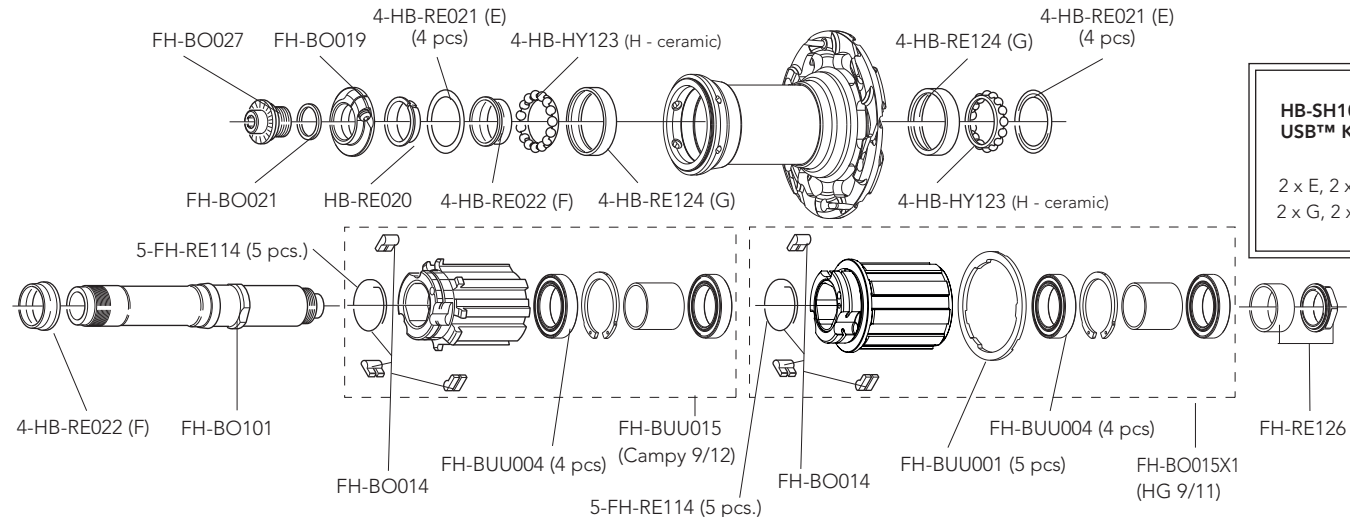
RIM		
	VALVE HOLE	6,5 mm
	VALVE HOLE BUSHING	WH-BUU002 
	DIAMETER	634 mm
	BRAKE PADS	for carbon rims - BR-BO500 (for brakes with retention spring or interference fixing) - BR-BO500X1 (for brakes with screw fixing)

SPOKES		
FRONT / REAR LH SPOKE	WH-020BOC35	4 spokes + 4 nipples
REAR RH SPOKE	WH-021BOC35	4 spokes + 4 nipples
NIPPLES	WH-015BO80	black - 10 pieces
NIPPLE INSERT	UT-WH160	magnet-attractor for nipple
NIPPLE MAGNET	UT-WH050	nipple-guide
SPOKE SPANNER	UT-WH090	spoke wrenches

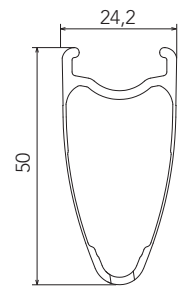
ACCESSORIES		
Spacer for HG11 FW body	FH-BUU001	5 pcs - to be used only with 9/10s sprockets (please note that every HG11 rear wheel/FW body package contains the spacer)


! WARNING!

Because of the high temperatures reached when braking, we recommend you use only glue for tubular tires specifically for carbon fibre rims.
 A causa delle alte temperature raggiunte in frenata, vi consigliamo di utilizzare solamente colla per tubolari che sia specifica per i soli cerchi in fibra di carbonio.

HUBS		
	HB-SH200 USB™ KIT front 2 x A, 2 x B, 2 x C, 2 x D	
	HB-SH100 USB™ KIT 2 x E, 2 x F, 2 x G, 2 x H	
QUICK-RELEASES	QR12-BUUBFR	front + rear

RIM



VALVE HOLE	6,5 mm
VALVE EXTENSION	UT-HU150
VALVE HOLE BUSHING	WH-BUU002 
DIAMETER	700C (622 x 17C)
BRAKE SHOES	for carbon rims - BR-BO500 (for brakes with retention spring or interference fixing) - BR-BO500X1 (for brakes with screw fixing)

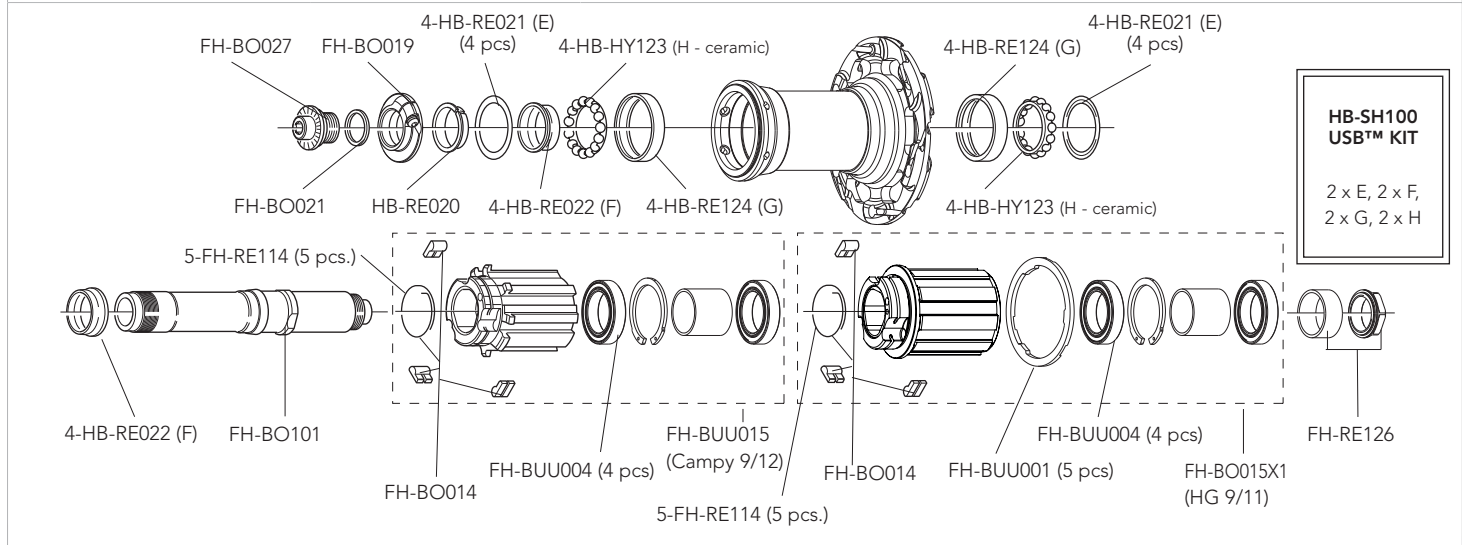
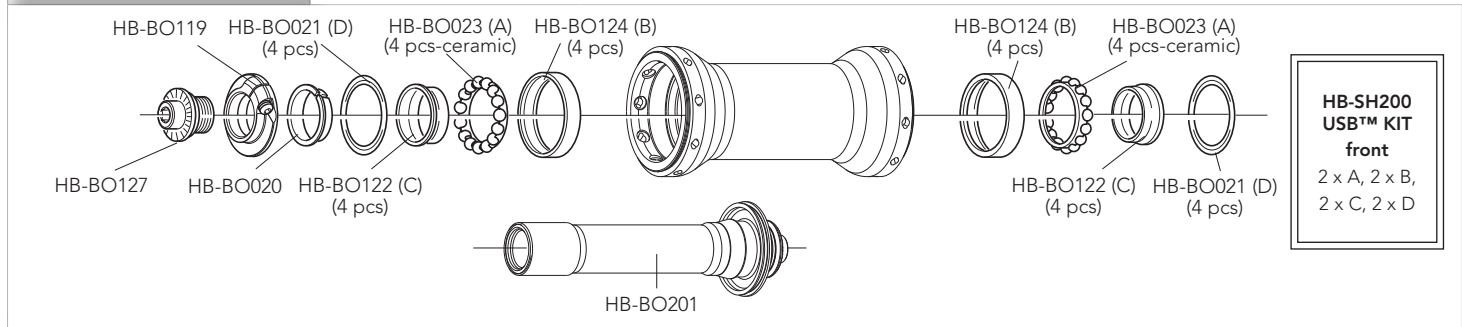
SPOKES

FRONT / REAR LH SPOKE	WH-016BOT50	4 spokes + 4 nipples
REAR RH SPOKE	WH-019BOT50	4 spokes + 4 nipples
NIPPLES	WH-015BO80	black - 10 pieces
NIPPLE INSERT	UT-WH160	magnet-attractor for nipple
NIPPLE MAGNET	UT-WH050	nipple-guide
SPOKE SPANNER	UT-WH090	spoke wrenches

ACCESSORIES

Spacer for HG11 FW body	FH-BUU001	5 pcs - to be used only with 9/10s sprockets <i>(please note that every HG11 rear wheel/FW body package contains the spacer)</i>
-------------------------	-----------	---

HUBS



QUICK-RELEASES	QR12-BUUBFR	front + rear
----------------	-------------	--------------

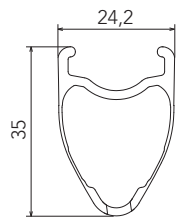
BORA ONE 35


CLINCHER

BORA ONE 35

CLINCHER

RIM



VALVE HOLE	6,5 mm
VALVE HOLE BUSHING	WH-BUU002 
DIAMETER	700C (622 x 17C)
BRAKE SHOES	for carbon rims - BR-BO500 (for brakes with retention spring or interference fixing) - BR-BO500X1 (for brakes with screw fixing)

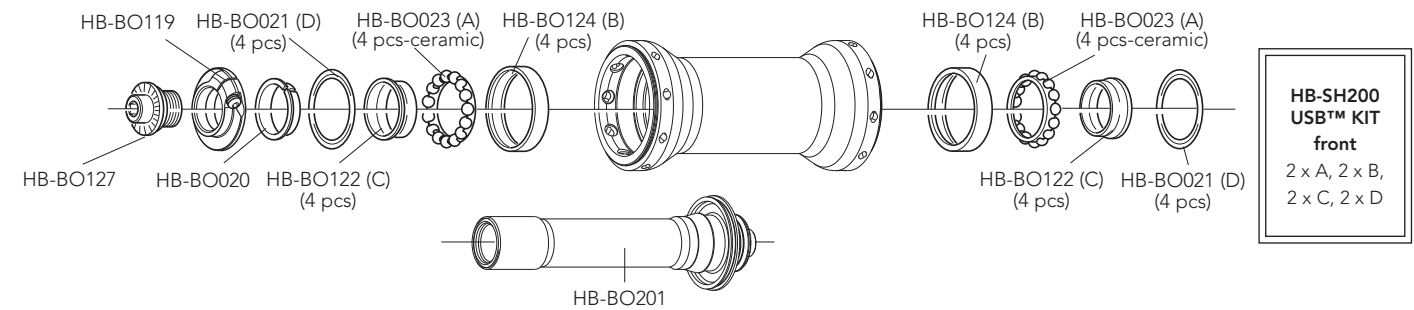
SPOKES

FRONT / REAR LH SPOKE	WH-020BOC35	4 spokes + 4 nipples
REAR RH SPOKE	WH-021BOC35	4 spokes + 4 nipples
NIPPLES	WH-015BO80	black - 10 pieces
NIPPLE INSERT	UT-WH160	magnet-attractor for nipple
NIPPLE MAGNET	UT-WH050	nipple-guide
SPOKE SPANNER	UT-WH090	spoke wrenches

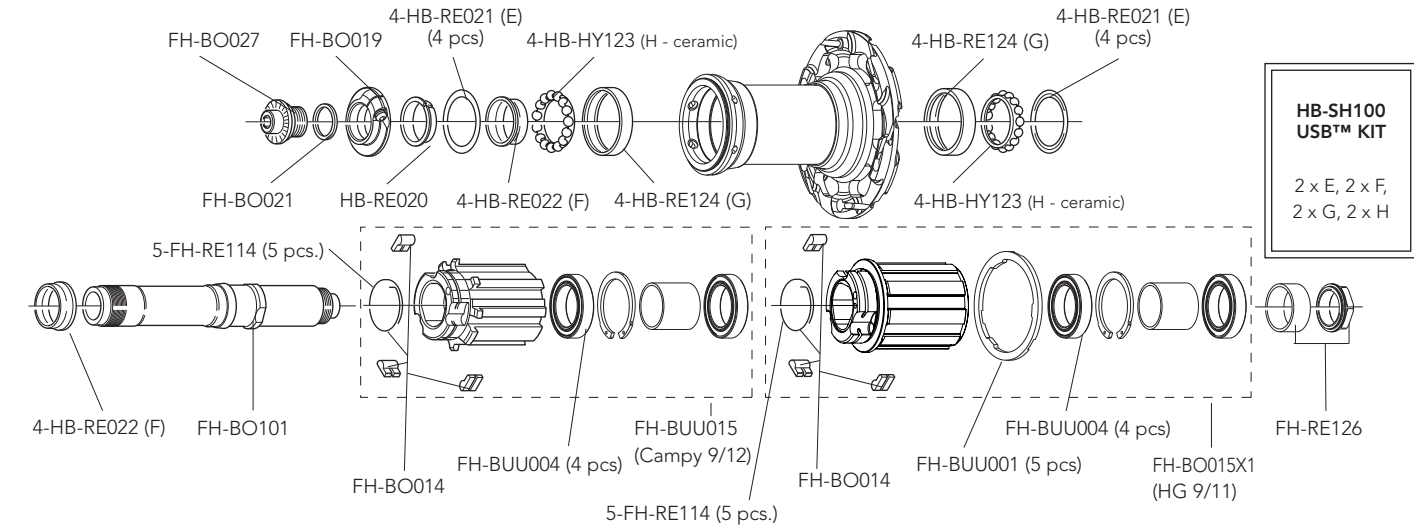
ACCESSORIES

Spacer for HG11 FW body	FH-BUU001	5 pcs - to be used only with 9/10s sprockets <i>(please note that every HG11 rear wheel/FW body package contains the spacer)</i>
-------------------------	-----------	---

HUBS



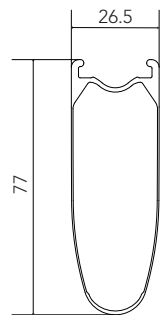
**HB-SH200
USB™ KIT
front**
2 x A, 2 x B,
2 x C, 2 x D




**HB-SH100
USB™ KIT**
2 x E, 2 x F,
2 x G, 2 x H

QUICK-RELEASES	QR12-BUUBFR	front + rear
----------------	-------------	--------------

RIM

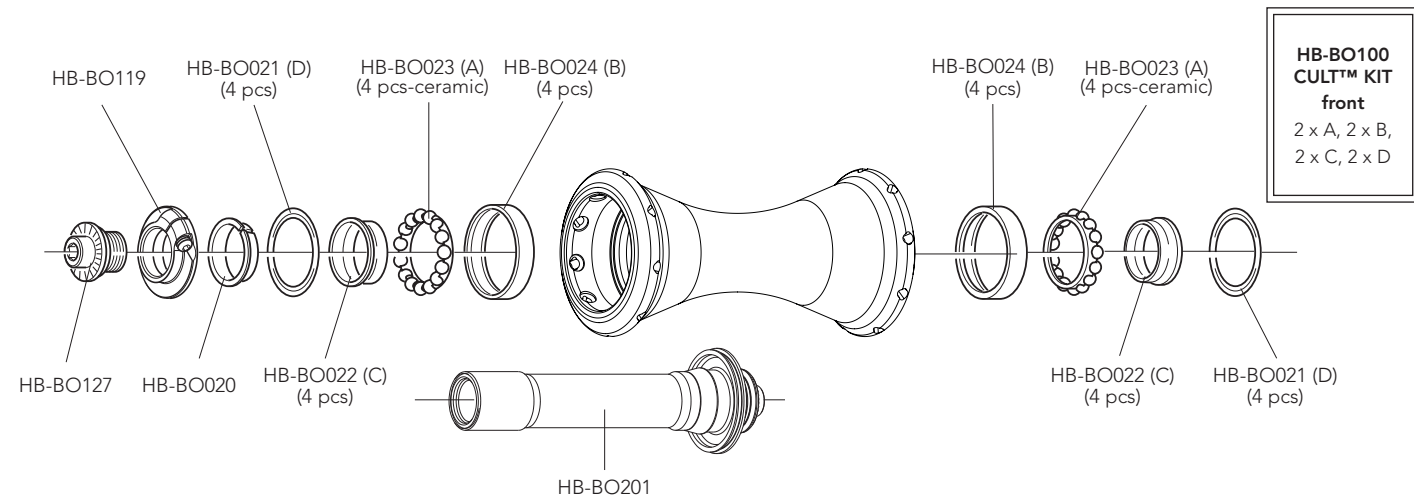


VALVE HOLE	6,5 mm
VALVE EXTENSION	UT-WH140M (male extension)
2-WAY FIT™ VALVE	WH-SH101
VALVE HOLE BUSHING	WH-BUU002 (5 pcs.) 
DIAMETER	700C (622 x 19C)
BRAKE PADS	for carbon rims - BR-BO500 (for brakes with retention spring or interference fixing) - BR-BO500X1 (for brakes with screw fixing)

SPOKES

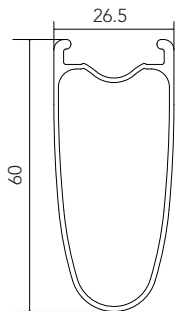
COMPLETE FRONT SPOKES	WH-01BWTO77	4 spokes + 4 nipples
NIPPLES	WH-015BO80	black - 10 pieces
NIPPLE INSERT	UT-WH160	magnet-attractor for nipple
NIPPLE MAGNET	UT-WH050	nipple-guide
SPOKE SPANNER	UT-WH090	spoke wrenches


HUBS



QUICK-RELEASES	QR12-BUUBFR	front + rear
----------------	-------------	--------------

RIM



FRONT RIM	WH-03BWTO60 (bright) - WH-04BWTO60 (dark)
REAR RIM	WH-05BWTO60 (bright) - WH-06BWTO60 (dark)
VALVE EXTENSION	UT-WH140M (male extension)
2-WAY FIT™ VALVE	VA-2WF44
VALVE HOLE	6,5 mm
VALVE HOLE BUSHING	WH-BUU002 (5 pcs.) 
DIAMETER	700C (622 x 19C)
BRAKE PADS	for carbon rims - BR-BO500 (for brakes with retention spring or interference fixing) - BR-BO500X1 (for brakes with screw fixing)

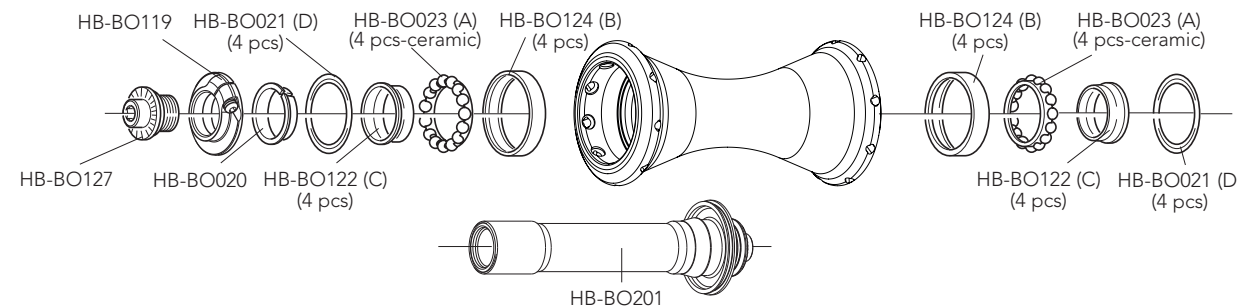
SPOKES

FRONT / REAR LH	WH-01BWTO60	4 spokes + 4 nipples
REAR RH	WH-02BWTO60	4 spokes + 4 nipples
NIPPLES	WH-015B080	black - 10 pieces
NIPPLE INSERT	UT-WH160	magnet-attractor for nipple
NIPPLE MAGNET	UT-WH050	nipple-guide
SPOKE SPANNER	UT-WH090	spoke wrenches

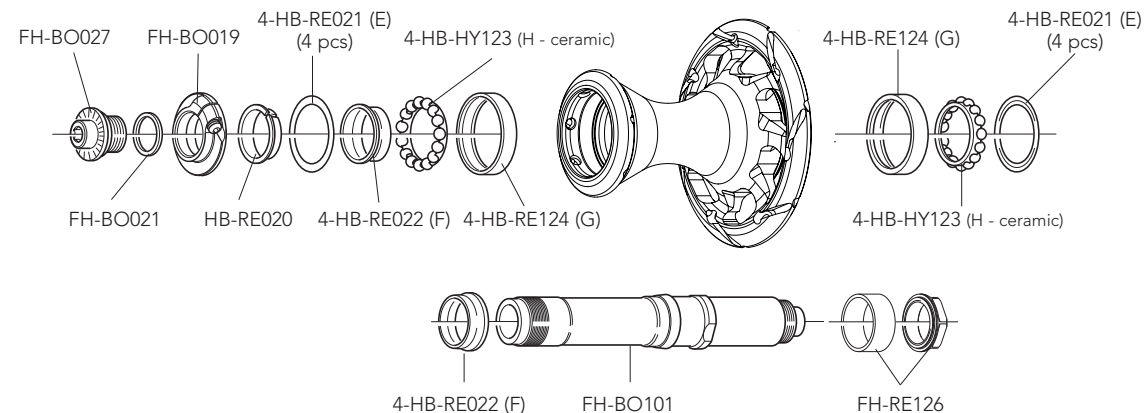
ACCESSORIES

Spacer for HG11 FW body	FH-BUU001	5 pcs - to be used only with 9/10s sprockets <i>(please note that every HG11 rear wheel/FW body package contains the spacer)</i>
-------------------------	-----------	---

HUBS



**HB-SH200
USB™ KIT
front**
2 x A, 2 x B,
2 x C, 2 x D



**HB-SH100
USB™ KIT**
2 x E, 2 x F,
2 x G, 2 x H

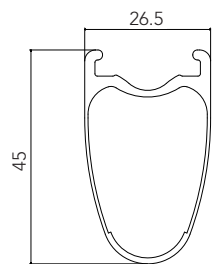
QUICK-RELEASES


QR12-BUUBFR

front + rear

Complete FW body / Corpetti RL completi **FH-BUU015** (Campagnolo 9/12) - **FH-BO015X1** (HG 9/11) - **FH-BU016XDR** (XDR) See exploded view pag. 138

RIM



FRONT RIM	WH-03BWTO45 (bright) - WH-05BWTO45 (dark)
REAR RIM	WH-04BWTO45 (bright) - WH-06BWTO45 (dark)
VALVE EXTENSION	UT-WH130M (male extension)
2-WAY FIT™ VALVE	WH-SH101
VALVE HOLE	6,5 mm
VALVE HOLE BUSHING	WH-BUU002 (5 pcs.) 
DIAMETER	700C (622 x 19C)
BRAKE PADS	for carbon rims - BR-BO500 (for brakes with retention spring or interference fixing) - BR-BO500X1 (for brakes with screw fixing)

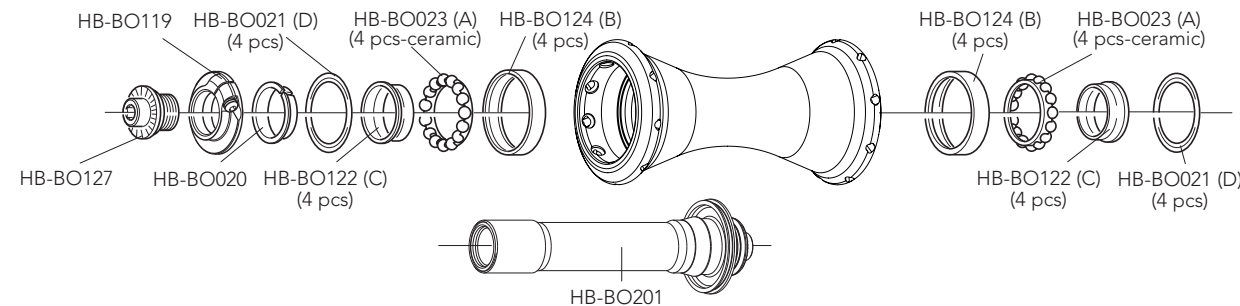
SPOKES

FRONT / REAR LH	WH-01BWTO45	4 spokes + 4 nipples
REAR RH	WH-02BWTO45	4 spokes + 4 nipples
NIPPLES	WH-015B080	black - 10 pieces
NIPPLE INSERT	UT-WH160	magnet-attractor for nipple
NIPPLE MAGNET	UT-WH050	nipple-guide
SPOKE SPANNER	UT-WH090	spoke wrenches

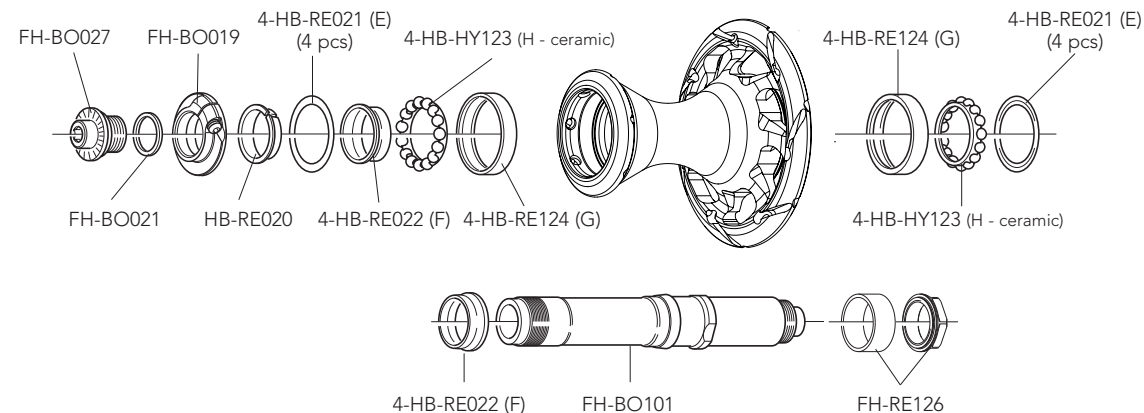
ACCESSORIES

Spacer for HG11 FW body	FH-BUU001	5 pcs - to be used only with 9/10s sprockets <i>(please note that every HG11 rear wheel/FW body package contains the spacer)</i>
-------------------------	-----------	---

HUBS



**HB-SH200
USB™ KIT
front**
2 x A, 2 x B,
2 x C, 2 x D



**HB-SH100
USB™ KIT**
2 x E, 2 x F,
2 x G, 2 x H

QUICK-RELEASES

QR12-BUUBFR

front + rear

Complete FW body / Corpetti RL completi **FH-BUU015** (Campagnolo 9/12) - **FH-BO015X1** (HG 9/11) - **FH-BU016XDR** (XDR) See exploded view pag. 138

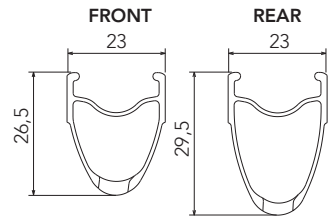
SHAMAL MILLE

CLINCHER

SHAMAL MILLE

CLINCHER

RIM



FRONT RIM
REAR RIM
LABEL KIT
VALVE HOLE
DIAMETER
BRAKE PADS

WH-103SHM (no labels)
WH-104SHM (no labels)
LAB-SHMC17 (front+rear)
6,5 mm
622 X 17C
for rims with Plasma Electrolytic Oxydation treatment: BR-PEO5001 (for brakes with retention spring fixing) - BR-PEO500X1 (for brakes with screw fixing)

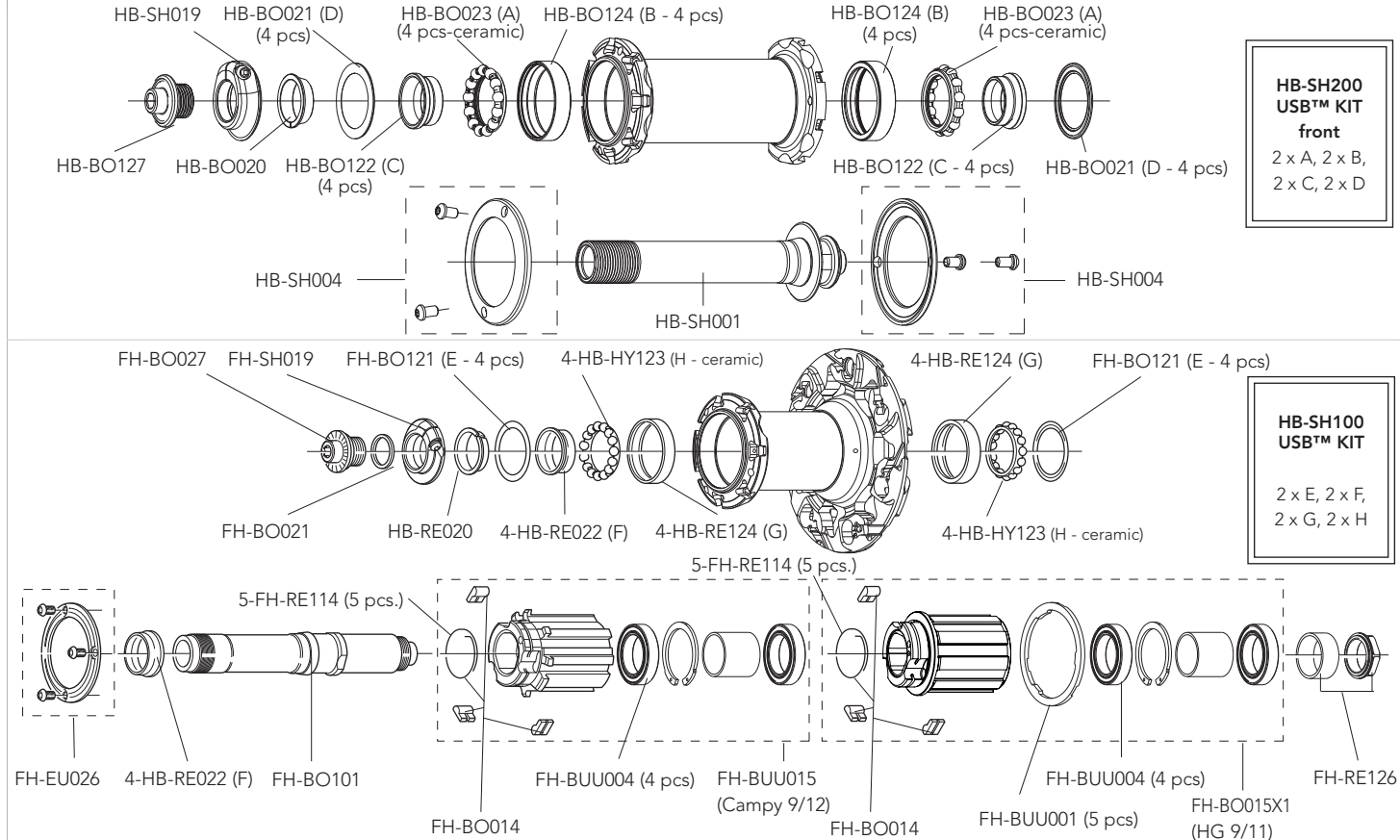
SPOKES

FRONT KIT	KIT-23SHB	16 front spokes
REAR KIT	KIT-34SHB	14 front/rear right spokes + 7 rear left spokes
COMPLETE FRONT SPOKE	WH-105SHM	spoke + nipple
COMPLETE REAR RIGHT SPOKE	WH-008SHM	spoke + nipple
COMPLETE REAR LEFT SPOKE	WH-007SHM	spoke + nipple
NIPPLES	WH-015SHM	10 pieces
SPOKE RING	UT-WH010	anti-rotation spokes
NIPPLE INSERT	UT-WH020	magnet-attractor for nipple
NIPPLE MAGNET	UT-WH050	nipple-guide
SPOKE SPANNER	UT-WH270	spoke wrench (SERVICE CENTER Only)

ACCESSORIES

Spacer for HG11 FW body	FH-BUU001	5 pcs - to be used only with 9/10s sprockets <i>(please note that every HG11 rear wheel/FW body package contains the spacer)</i>
-------------------------	-----------	---

HUBS



**HB-SH200
USB™ KIT
front**
2 x A, 2 x B,
2 x C, 2 x D

**HB-SH100
USB™ KIT**
2 x E, 2 x F,
2 x G, 2 x H

QUICK-RELEASES	QR13-80FR	front + rear
----------------	-----------	--------------

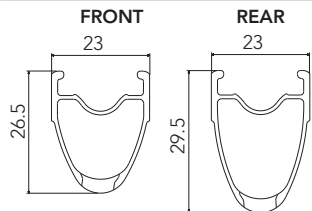
SHAMAL ULTRA

C17 2-WAY FIT

SHAMAL ULTRA

C17 2-WAY FIT

RIM



FRONT RIM	WH-313SHB (no labels)
REAR RIM	WH-314SHB (no labels)
LABEL KIT	LAB-SH2B17 (front+rear)
VALVE HOLE	7,5 mm
2-WAY FIT™ VALVE	WH-SH101
VALVE HOLE BUSHING	5-WH-SH002 (for valve seat reduction - 5 pcs)
DIAMETER	634 mm
BRAKE PADS	see "brake pads compatibility table" on www.campagnolo.com

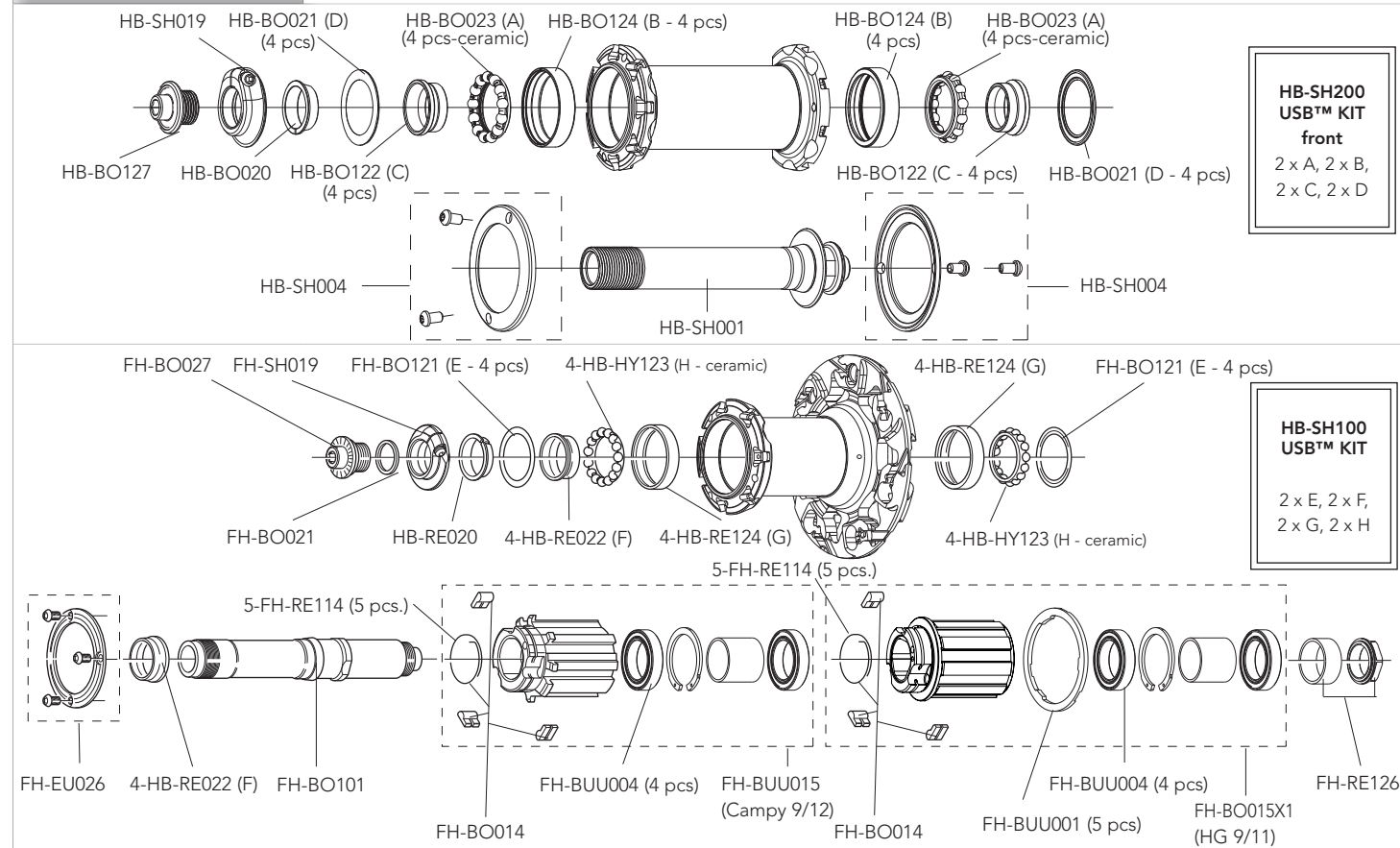
SPOKES

FRONT KIT	KIT-23SHB	16 front/rear right spokes
REAR KIT	KIT-34SHB	14 front/rear right spokes + 7 rear left spokes
COMPLETE FRONT SPOKE	WH-205SHB	spoke + nipple
COMPLETE REAR LEFT SPOKE	WH-207SHB	spoke + nipple
COMPLETE REAR RIGHT SPOKE	WH-208SHB	spoke + nipple
NIPPLES	WH-115SH	10 pieces
SPOKE RING	UT-WH010	anti-rotation spokes
NIPPLE INSERT	UT-WH020	magnet-attractor for nipple
NIPPLE MAGNET	UT-WH050	nipple-guide
SPOKE SPANNER	UT-WH070	spoke wrenches

ACCESSORIES

Spacer for HG11 FW body	FH-BUU001	5 pcs - to be used only with 9/10s sprockets (please note that every HG11 rear wheel/FW body package contains the spacer)
-------------------------	-----------	--

HUBS



**HB-SH200
USB™ KIT
front**
2 x A, 2 x B,
2 x C, 2 x D

**HB-SH100
USB™ KIT**
2 x E, 2 x F,
2 x G, 2 x H

QUICK-RELEASES	QR13-80FR	front + rear
----------------	-----------	--------------

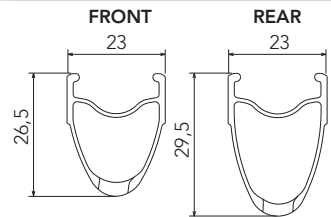
SHAMAL ULTRA

C17 CLINCHER

SHAMAL ULTRA

C17 CLINCHER

RIM



FRONT RIM
REAR RIM
LABEL KIT
VALVE HOLE
DIAMETER
BRAKE PADS

WH-403SHB (no labels)
WH-404SHB (no labels)
LAB-SHCB17
6,5 mm
622 X 17C
see "brake pads compatibility table" on www.campagnolo.com

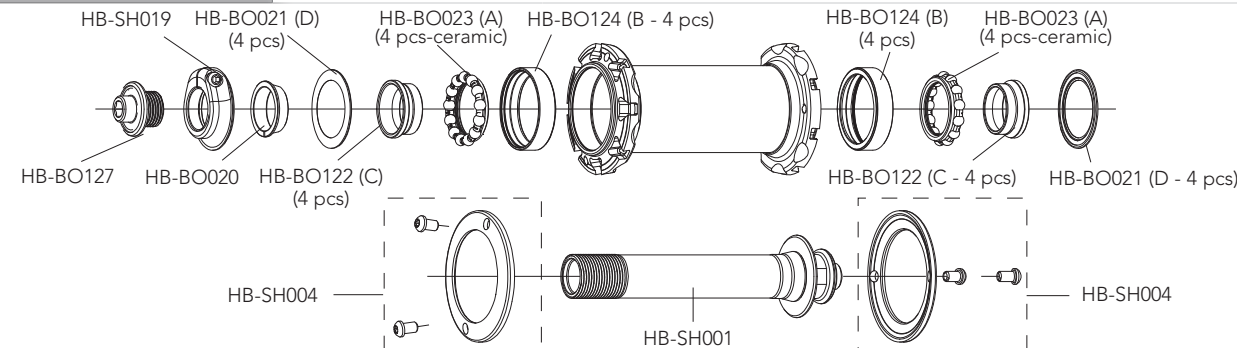
SPOKES

FRONT KIT	KIT-23SHB	16 front/rear right spokes
REAR KIT	KIT-34SHB	14 front/rear right spokes + 7 rear left spokes
COMPLETE FRONT	WH-205SHB	spoke + nipple
COMPLETE REAR LEFT SPOKE	WH-207SHB	spoke + nipple
COMPLETE REAR RIGHT SPOKE	WH-208SHB	spoke + nipple
NIPPLES	WH-115SH	10 pieces
SPOKE RING	UT-WH010	anti-rotation spokes
NIPPLE INSERT	UT-WH020	magnet-attracting nipple insert
NIPPLE MAGNET	UT-WH050	nipple attracting magnet
SPOKE SPANNER	UT-WH070	spoke wrenches

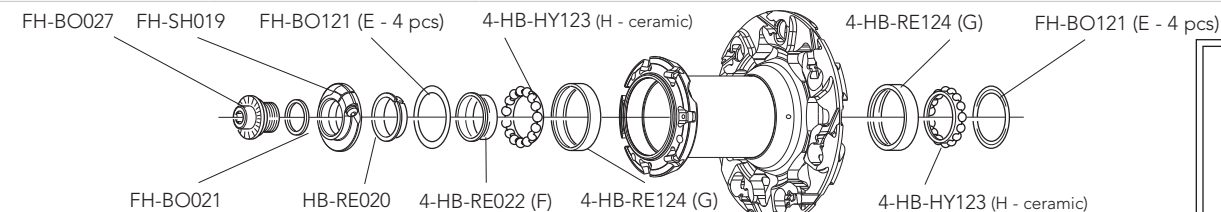
ACCESSORIES

Spacer for HG11 FW body	FH-BUU001	5 pcs - to be used only with 9/10s sprockets (please note that every HG11 rear wheel/FW body package contains the spacer)
-------------------------	-----------	--

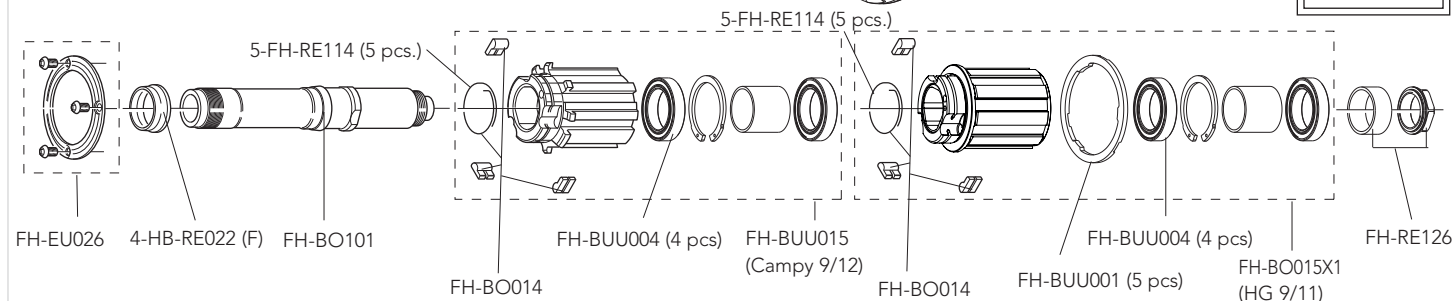
HUBS



**HB-SH200
USB™ KIT
front**
2 x A, 2 x B,
2 x C, 2 x D

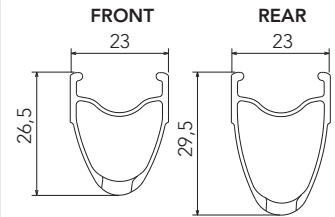


**HB-SH100
USB™ KIT**
2 x E, 2 x F,
2 x G, 2 x H



QUICK-RELEASES QR13-80FR front + rear

RIM



FRONT RIM	WH-403ZOB (with labels)
REAR RIM	WH-504ZOB (with labels)
LABEL KIT	LAB-ZOCB17 (for a pair of front+rear wheels)
VALVE HOLE	6,5 mm
DIAMETER	622 X 17C
BRAKE PADS	see "brake pads compatibility table" on www.campagnolo.com

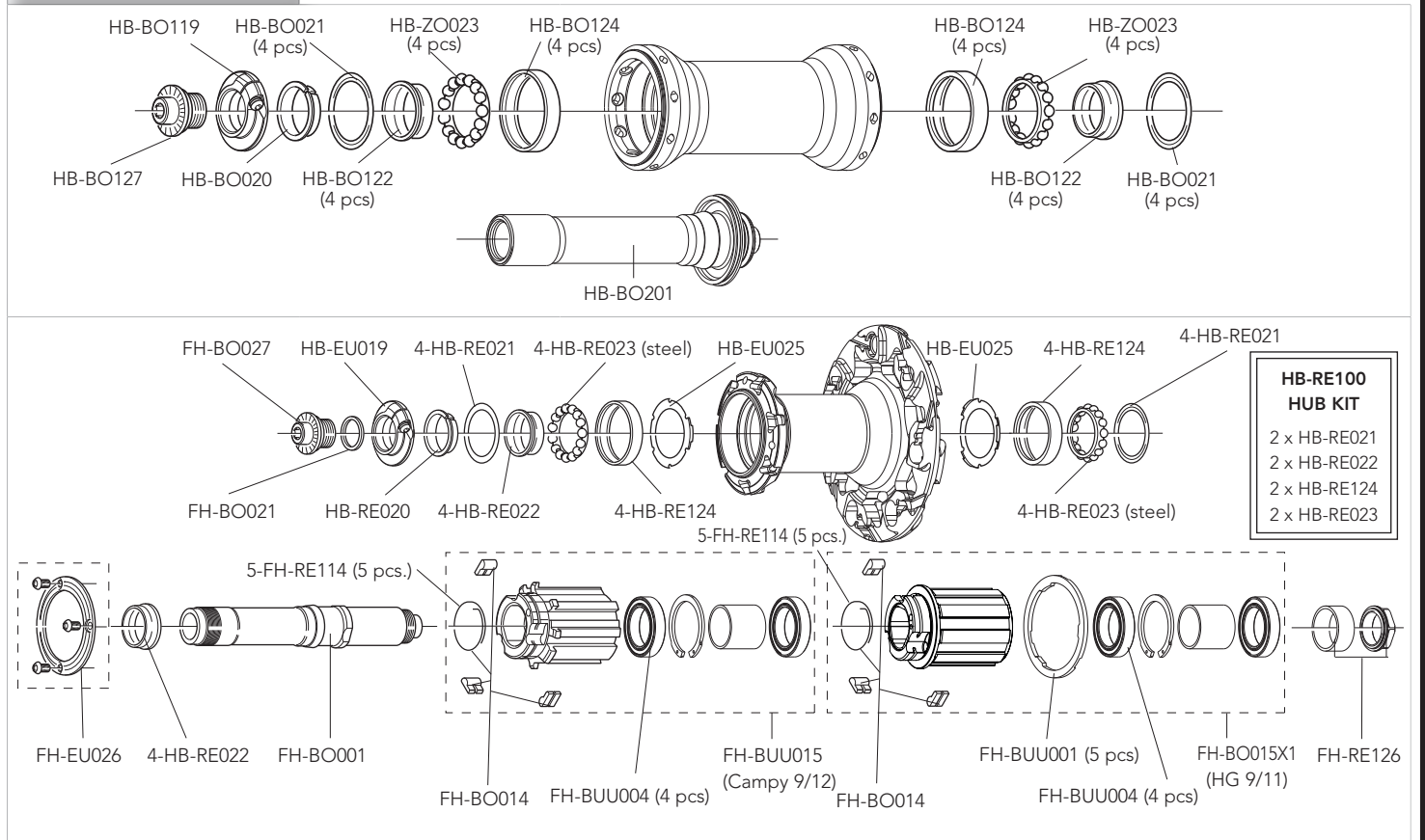
SPOKES

FRONT SPOKE	WH-116ZOC	4 spokes + 4 nipples
REAR RH SPOKE	WH-118ZOC	4 spokes + 4 nipples
REAR LH SPOKE	WH-119ZOC	4 spokes + 4 nipples
NIPPLES	WH-115ZO	50 pieces
NIPPLE INSERT	UT-WH035	magnet-attractor for nipple
NIPPLE MAGNET	UT-WH050	nipple-guide

ACCESSORIES

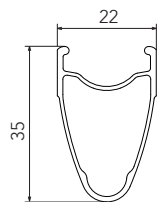
Spacer for HG11 FW body	FH-BUU001	5 pcs - to be used only with 9/10s sprockets <i>(please note that every HG11 rear wheel/FW body package contains the spacer)</i>
-------------------------	-----------	---

HUBS



QUICK-RELEASES	QR12-ZOBFR	front + rear
----------------	------------	--------------

RIM



RIM-TAPE	WH-RT003 (2 pieces)
LABEL KIT	LAB-SCCB18 (for a pair of front+rear wheels)
VALVE HOLE	6,5 mm
DIAMETER	622 x 17C
BRAKE PADS	see "brake pads compatibility table" on www.campagnolo.com

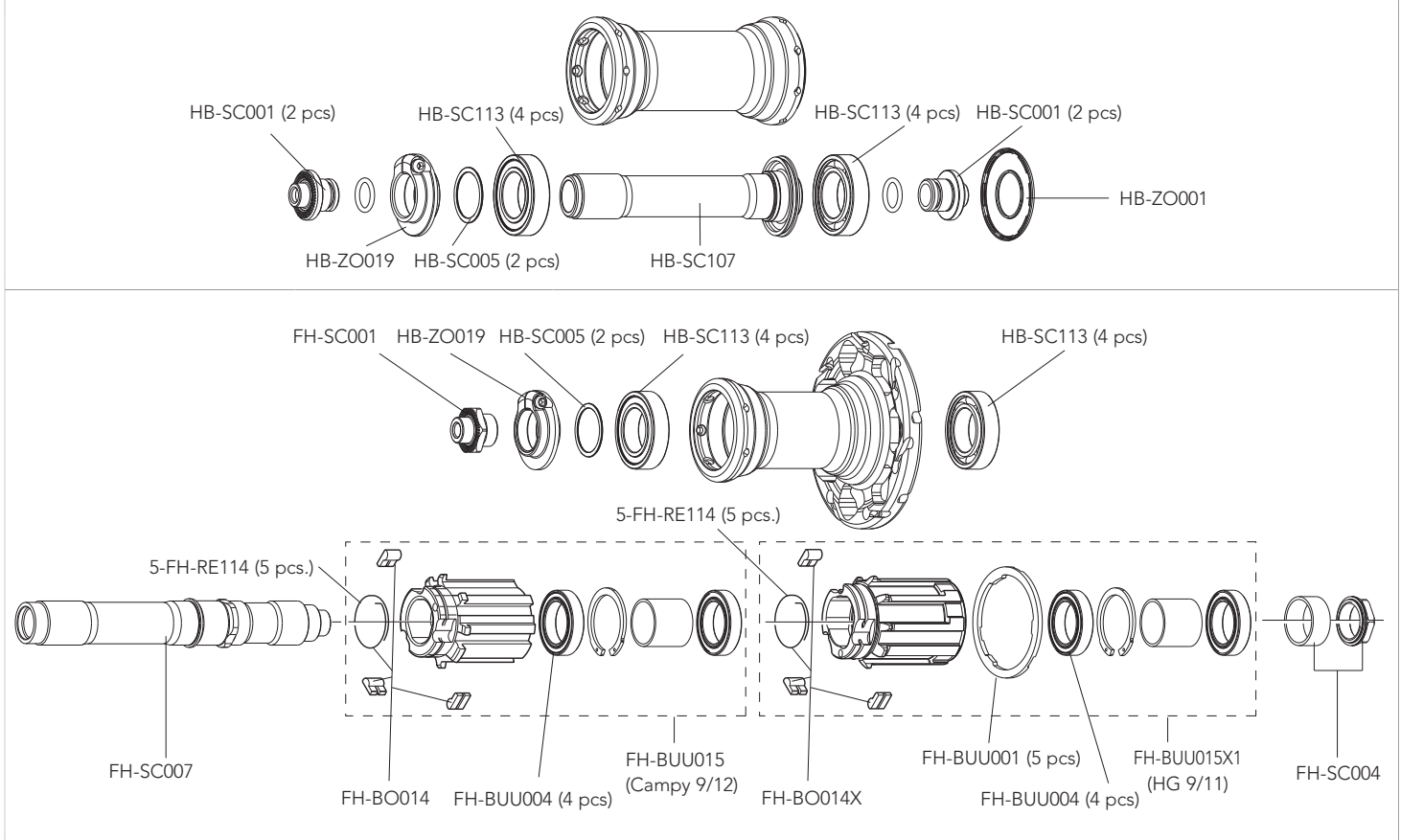
SPOKES

FRONT SPOKE	WH-016SCC	4 spokes + 4 nipples
REAR RH SPOKE	WH-018SCC	4 spokes + 4 nipples
REAR LH SPOKE	WH-019SCC	4 spokes + 4 nipples

ACCESSORIES

Spacer for HG11 FW body	FH-BUU001	5 pcs - to be used only with 9/10s sprockets <i>(please note that every HG11 rear wheel/FW body package contains the spacer)</i>
-------------------------	-----------	---

HUBS



QUICK-RELEASES	QR12-ZOBFR	front + rear
----------------	------------	--------------

RIM			
FRONT	REAR	RIM-TAPE	WH-RT003 (20,5 mm - 2 pieces)
		LABEL KIT	LAB-KHC19 (front+rear)
		VALVE HOLE	6,5 mm
		DIAMETER	622 X 17C
		BRAKE PADS	see "brake pads compatibility table" on www.campagnolo.com

SPOKES		
FRONT SPOKE	WH-116KHC	4 spokes + 4 nipples
REAR RH SPOKE	WH-118KHC	4 spokes + 4 nipples
REAR LH SPOKE	WH-218KHC	4 spokes + 4 nipples

ACCESSORIES		
Spacer for HG11 FW body	FH-BUU001	5 pcs - to be used only with 9/10s sprockets <i>(please note that every HG11 rear wheel/FW body package contains the spacer)</i>

HUBS

4-HB-SC013

4-HB-SC013

HB-ZO002

HB-ZO001

FH-SC001

FH-KH019

HB-SC005 (2 pcs)

HB-SC113 (4 pcs)

HB-SC113 (4 pcs)

5-FH-RE114 (5 pcs.)

5-FH-RE114 (5 pcs.)

HB-ZO002

FH-SC007

FH-BO014

FH-BUU004 (4 pcs)

FH-BUU015 (Campy 9/12)

FH-BO014

FH-BUU001 (5 pcs)

FH-BUU004 (4 pcs)

FH-BUU016X (HG 9/11)

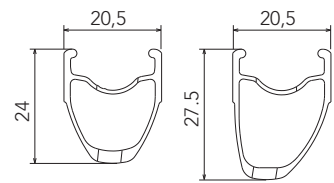
FH-SC004

QUICK-RELEASES	QR8-40BFR	front + rear
----------------	-----------	--------------

KHAMSIN ASYMMETRIC G3

CLINCHER

RIM



RIM-TAPE
LABEL KIT
VALVE HOLE
DIAMETER
BRAKE PADS

2-WH-RT12 (18 mm - 2 pieces)
LAB-KHCB14G3 (BLACK - front+rear)
6,5 mm
700C (622 x 15C)
see "brake pads compatibility table" on www.campagnolo.com

SPOKES

FRONT SPOKE	WH-016KHC	4 spokes + 4 nipples
REAR RH SPOKE	WH-018KHC	4 spokes + 4 nipples
REAR LH SPOKE	WH-119KHC	4 spokes + 4 nipples

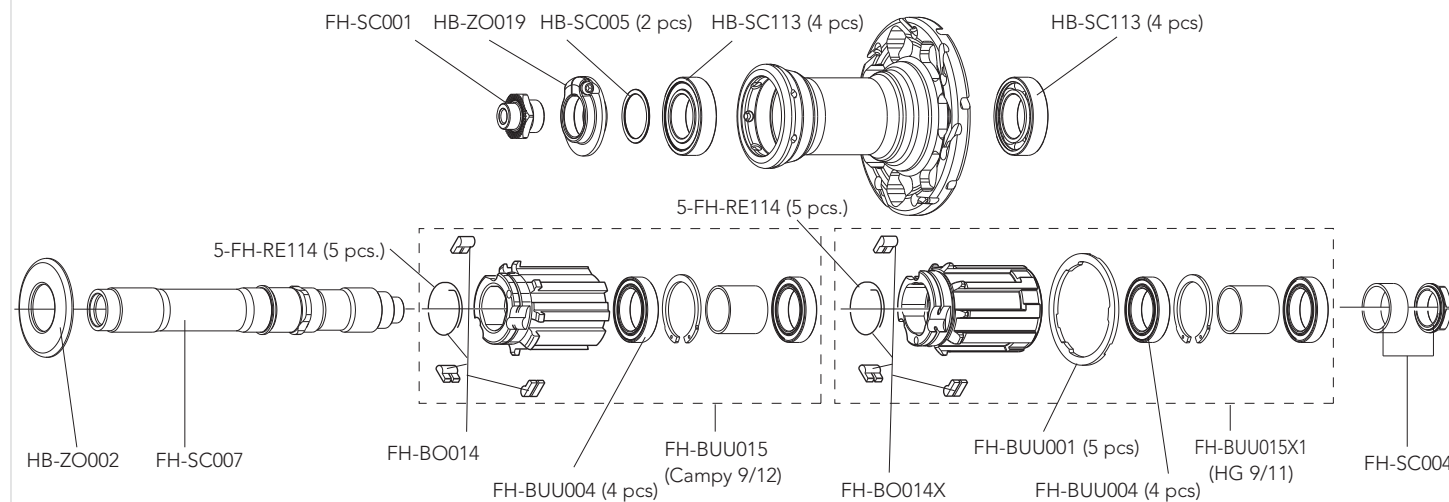
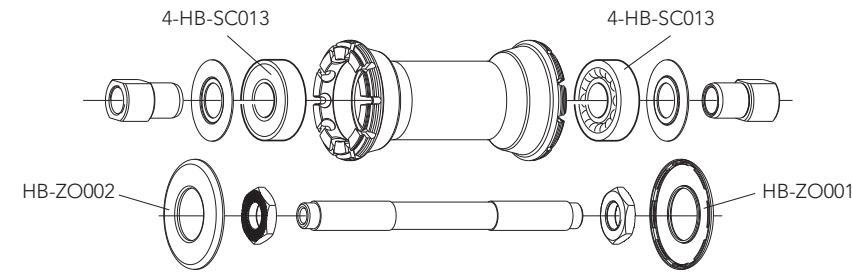
ACCESSORIES

Spacer for HG11 FW body	FH-BUU001	5 pcs - to be used only with 9/10s sprockets <i>(please note that every HG11 rear wheel/FW body package contains the spacer)</i>
-------------------------	-----------	---

KHAMSIN ASYMMETRIC G3

CLINCHER

HUBS

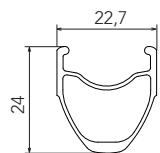


QUICK-RELEASES

QR8-40BFR

front + rear

RIM



RIM-TAPE	WH-RT003 (20.-5 mm - 2 pieces)
LABEL KIT	LAB-CAC18 (BLACK - front+rear)
VALVE HOLE	6,5 mm
DIAMETER	622 x 17C
BRAKE PADS	see "brake pads compatibility table" on www.campagnolo.com

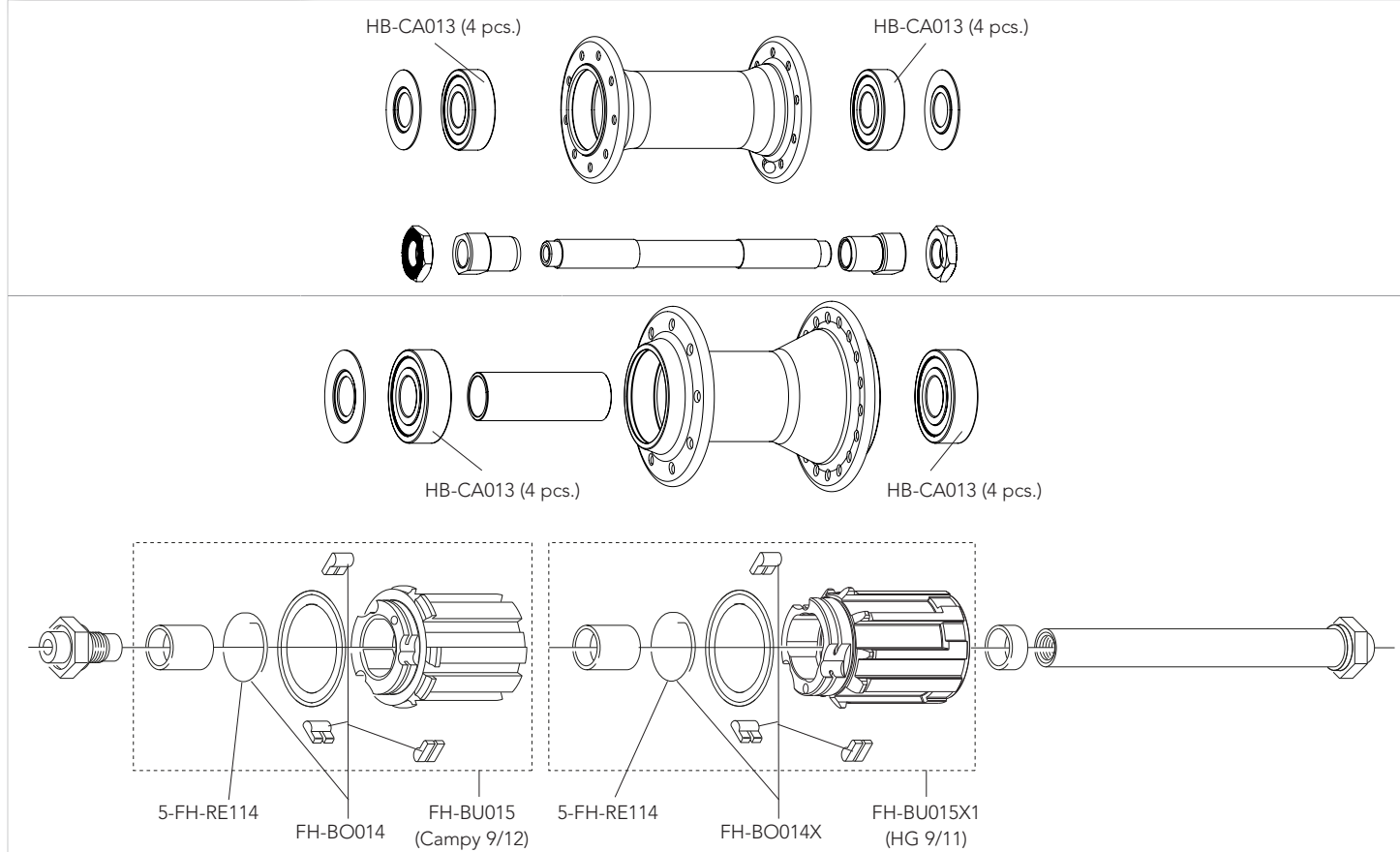
SPOKES

FRONT SPOKE	WH-016CAC	4 spokes + 4 nipples
REAR RH SPOKE	WH-018CAC	4 spokes + 4 nipples
REAR LH SPOKE	WH-019CAC	4 spokes + 4 nipples
NIPPLES	50-WH-NZO	50 pcs

ACCESSORIES

Spacer for HG11 FW body	FH-BUU001	5 pcs - to be used only with 9/10s sprockets <i>(please note that every HG11 rear wheel/FW body package contains the spacer)</i>
-------------------------	-----------	---

HUBS



QUICK-RELEASES	QR8-40BFR	front + rear
----------------	-----------	--------------

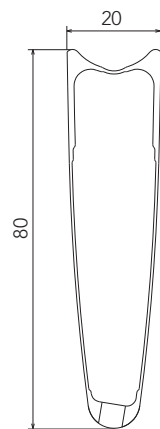
BORA ULTRA 80 PISTA


TUBULAR

BORA ULTRA 80 PISTA

TUBULAR

RIM



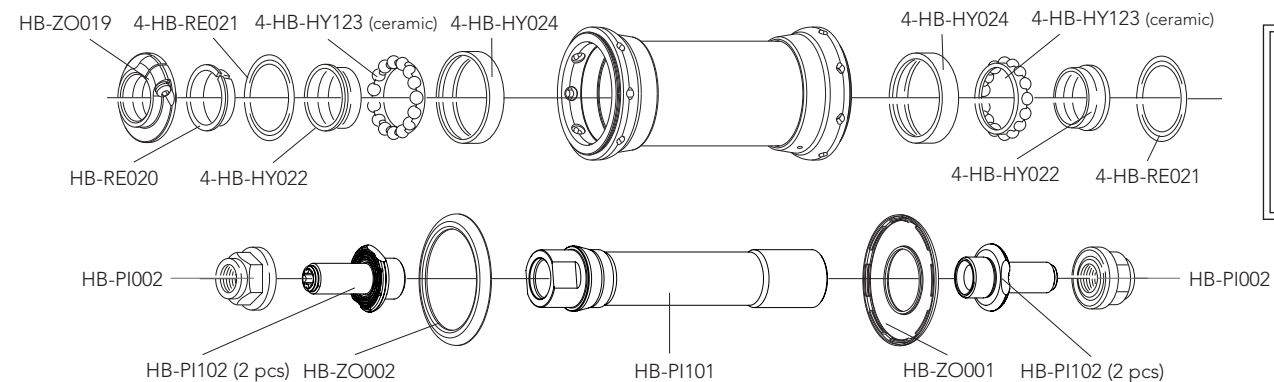
FRONT RIM	WH-101BO80
VALVE HOLE	6,5 mm
VALVE EXTENSION	UT-WH160M (male extension) - UT-WH160F (female extension)
VALVE HOLE BUSHING	WH-BUU002 (5 pcs.) 
DIAMETER	634 mm

SPOKES

FRONT SPOKE	WH-016BOT80	4 spokes + 4 nipples
NIPPLES	WH-015BO80	black - 10 pieces
NIPPLE INSERT	UT-WH160	magnet-attractor for nipple
NIPPLE MAGNET	UT-WH050	nipple-guide
SPOKE SPANNER	UT-WH090	spoke wrenches


HUBS

FRONT TRACK



HB-HY100 CULT™ KIT
 2 x HB-RE021
 2 x HB-HY022
 2 x HB-HY024
 2 x HB-HY123

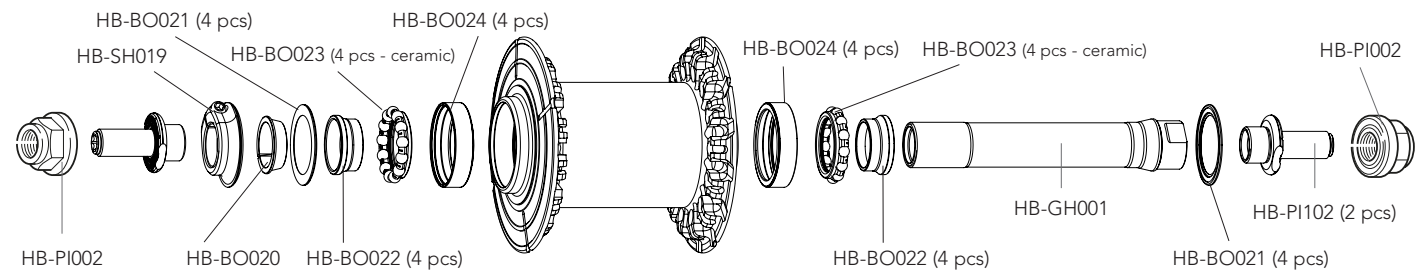
RIM

VALVE HOLE STICKERS	WH-100BOTT (5 pcs)
VALVE HOLE BUSHINGS	WH-BUU002 (5 pcs.) 
VALVE EXTENSION	UT-WH130M

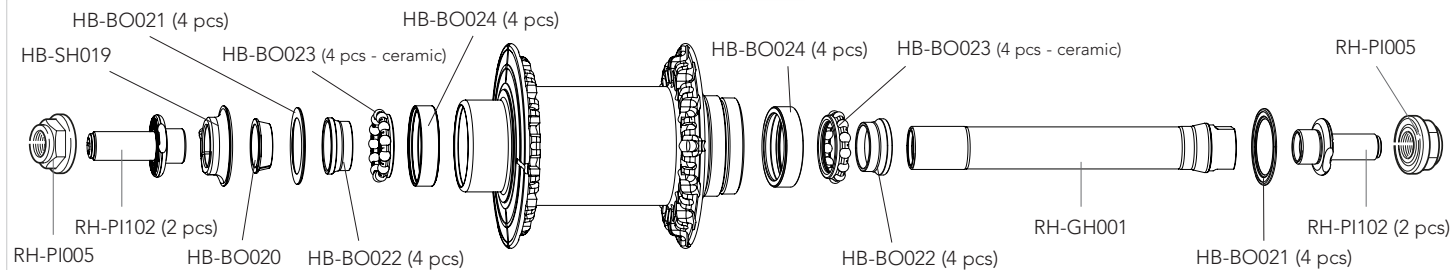
**HB-BO100
CULT™ KIT
front**
2 x HB-BO023
2 x HB-BO024
2 x HB-BO022
2 x HB-BO021

HUBS

FRONT TRACK



REAR TRACK



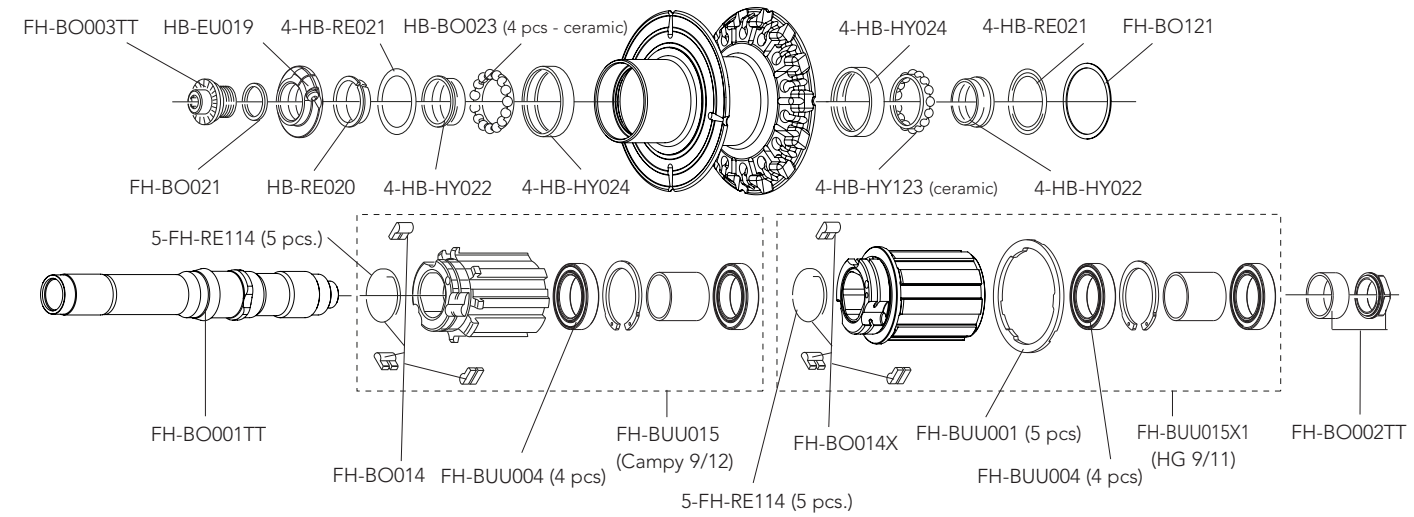
RIM

VALVE HOLE STICKERS	WH-100BOTT (5 pcs)
VALVE HOLE BUSHINGS	WH-BUU002
VALVE EXTENSION	UT-WH130M
BRAKE SHOES	for carbon rims - BR-BO500 (for brakes with retention spring or interference fixing) - BR-BO500X1 (for brakes with screw fixing)

ACCESSORIES

Spacer for HG11 FW body	FH-BUU001	5 pcs - to be used only with 9/10s sprockets <i>(please note that every HG11 rear wheel/FW body package contains the spacer)</i>
-------------------------	-----------	---

HUBS



QUICK-RELEASES	QR12-BUUBFR	front + rear
----------------	-------------	--------------

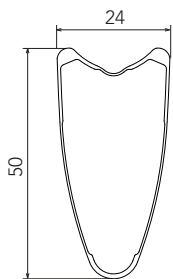
BORA ONE 50


DB AFS - TUBULAR

BORA ONE 50

DB AFS - TUBULAR

RIM



RIM	WH-001BO150DB (bright) - WH-001BO150DBDK (dark)
VALVE HOLE	6,5 mm
VALVE HOLE BUSHING	WH-BUU002 (5 pcs.) 
DIAMETER	700C (622 x 17C)

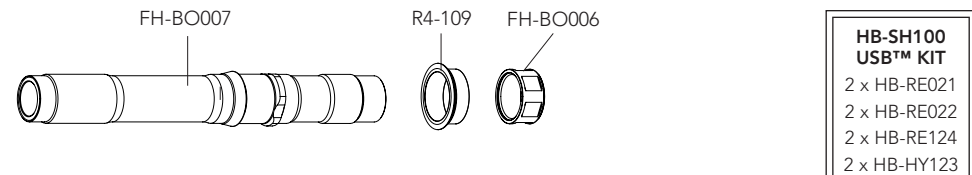
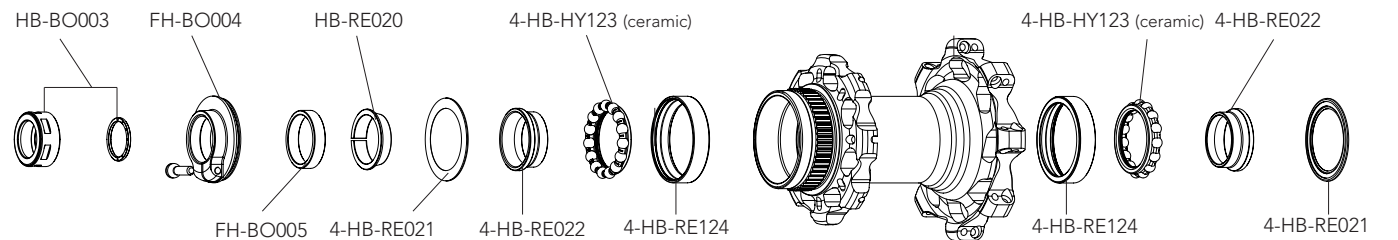
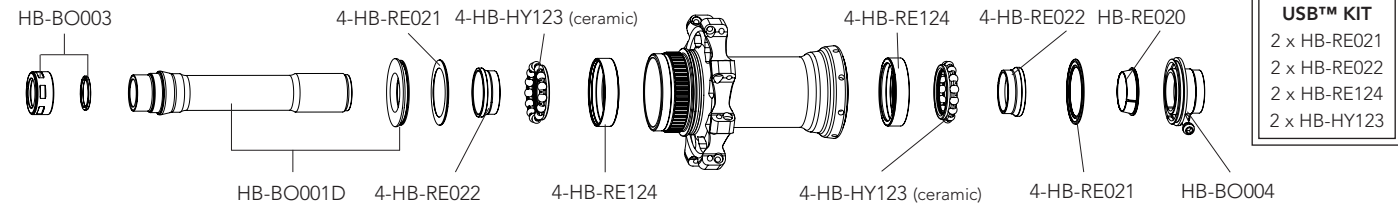
SPOKES

FRONT RH L. 262,5	WH-017BO50DB	4 spokes + 4 nipples
FRONT LH / REAR RH L. 278	WH-016BO35DB	4 spokes + 4 nipples
REAR LH L. 253,5	WH-019BO50DB	4 spokes + 4 nipples
NIPPLES	WH-015BO80	black - 10 pieces
NIPPLE INSERT	UT-WH160	magnet-attractor for nipple
NIPPLE MAGNET	UT-WH050	nipple-guide
SPOKE SPANNER	UT-WH090	spoke wrenches

ACCESSORIES

Spacer for HG11 FW body	FH-BUU001	5 pcs - to be used only with 9/10s sprockets <i>(please note that every HG11 rear wheel/FW body package contains the spacer)</i>
AFS™ lockring	M1-101	to fix the rotor

HUBS



Complete FW body / Corpetti RL completi **FH-BUU015** (Campagnolo 9/12) - **FH-BO015X1** (HG 9/11) - **FH-BU016XDR** (XDR) See exploded view pag. 138

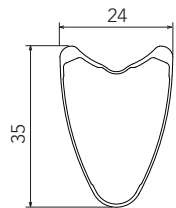
BORA ONE 35


DB AFS - TUBULAR

BORA ONE 35

DB AFS - TUBULAR

RIM



RIM	WH-001BO135DB (bright) - WH-001BO135DBDK (dark)
VALVE HOLE	6,5 mm
VALVE HOLE BUSHING	WH-BUU002 (5 pcs.) 
DIAMETER	700C (622 x 17C)

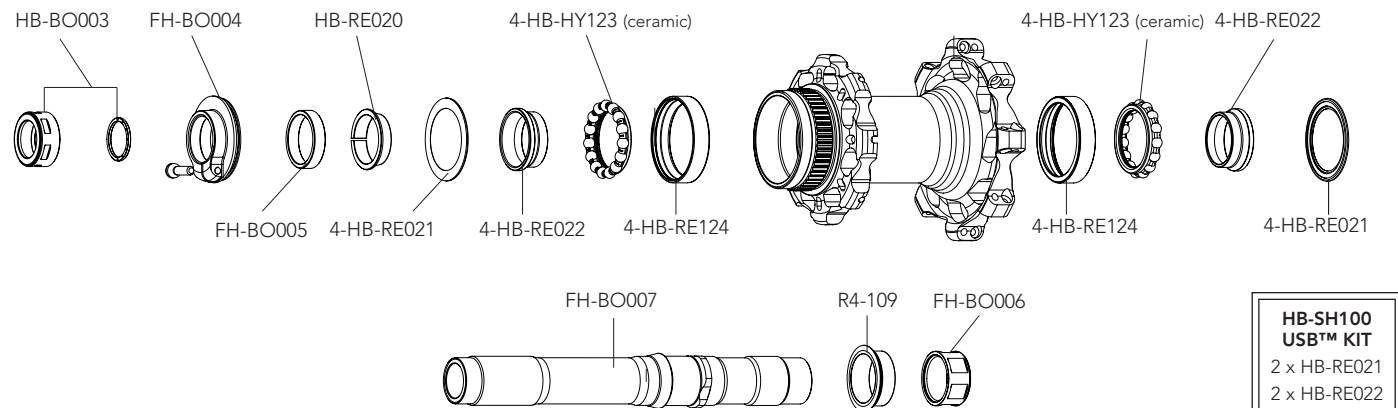
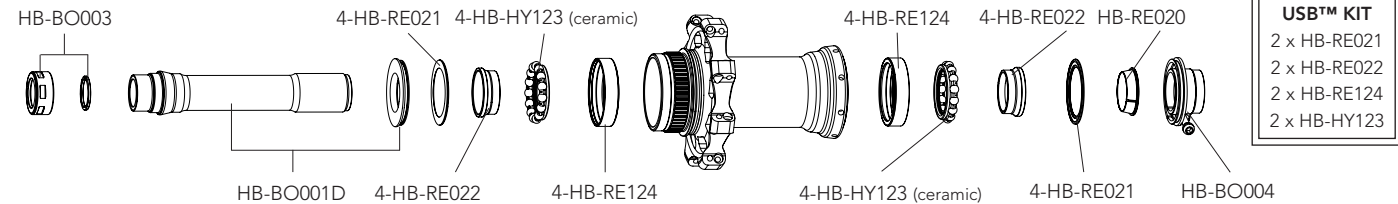
SPOKES

FRONT LH / REAR RH L. 293	WH-017BO35DB	4 spokes + 4 nipples
FRONT RH L. 278	WH-016BO35DB	4 spokes + 4 nipples
REAR LH L. 268	WH-019BO35DB	4 spokes + 4 nipples
NIPPLES	WH-015BO80	black - 10 pieces
NIPPLE INSERT	UT-WH160	magnet-attractor for nipple
NIPPLE MAGNET	UT-WH050	nipple-guide
SPOKE SPANNER	UT-WH090	spoke wrenches

ACCESSORIES

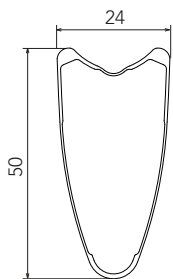
Spacer for HG11 FW body	FH-BUU001	5 pcs - to be used only with 9/10s sprockets <i>(please note that every HG11 rear wheel/FW body package contains the spacer)</i>
AFS™ lockring	M1-101	to fix the rotor


HUBS



Complete FW body / Corpetti RL completi **FH-BUU015** (Campagnolo 9/12) - **FH-BO015X1** (HG 9/11) - **FH-BU016XDR** (XDR) See exploded view pag. 138

RIM



RIM	WH-003BO150DB (bright) - WH-003BO150DBDK (dark)
VALVE HOLE	6,5 mm
VALVE HOLE BUSHING	WH-BUU002 (5 pcs.) 
DIAMETER	700C (622 x 17C)

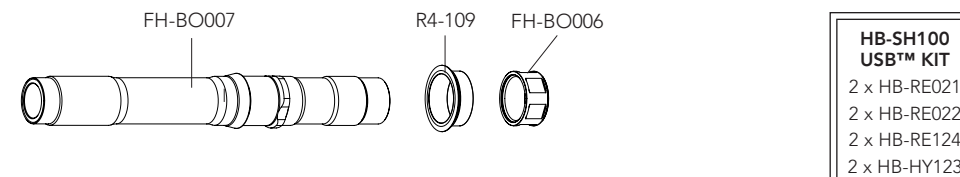
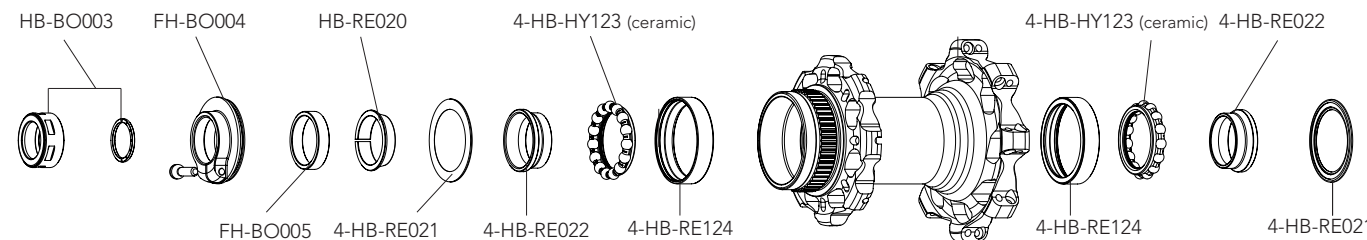
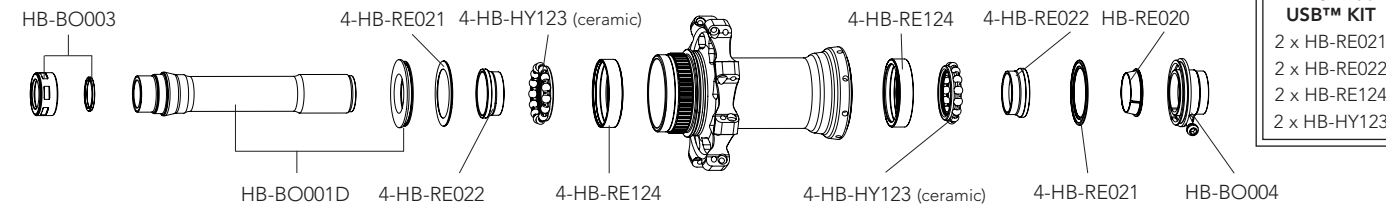
SPOKES

FRONT RH L. 262,5	WH-017BO50DB	4 spokes + 4 nipples
FRONT LH / REAR RH L. 278	WH-016BO35DB	4 spokes + 4 nipples
REAR LH L. 253,5	WH-019BO50DB	4 spokes + 4 nipples
NIPPLES	WH-015BO80	black - 10 pieces
NIPPLE INSERT	UT-WH160	magnet-attractor for nipple
NIPPLE MAGNET	UT-WH050	nipple-guide
SPOKE SPANNER	UT-WH090	spoke wrenches

ACCESSORIES

Spacer for HG11 FW body	FH-BUU001	5 pcs - to be used only with 9/10s sprockets <i>(please note that every HG11 rear wheel/FW body package contains the spacer)</i>
AFS™ lockring	M1-101	to fix the rotor

HUBS

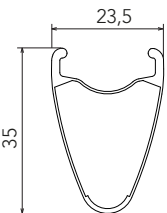



BORA ONE 35

DB AFS - CLINCHER

BORA ONE 35

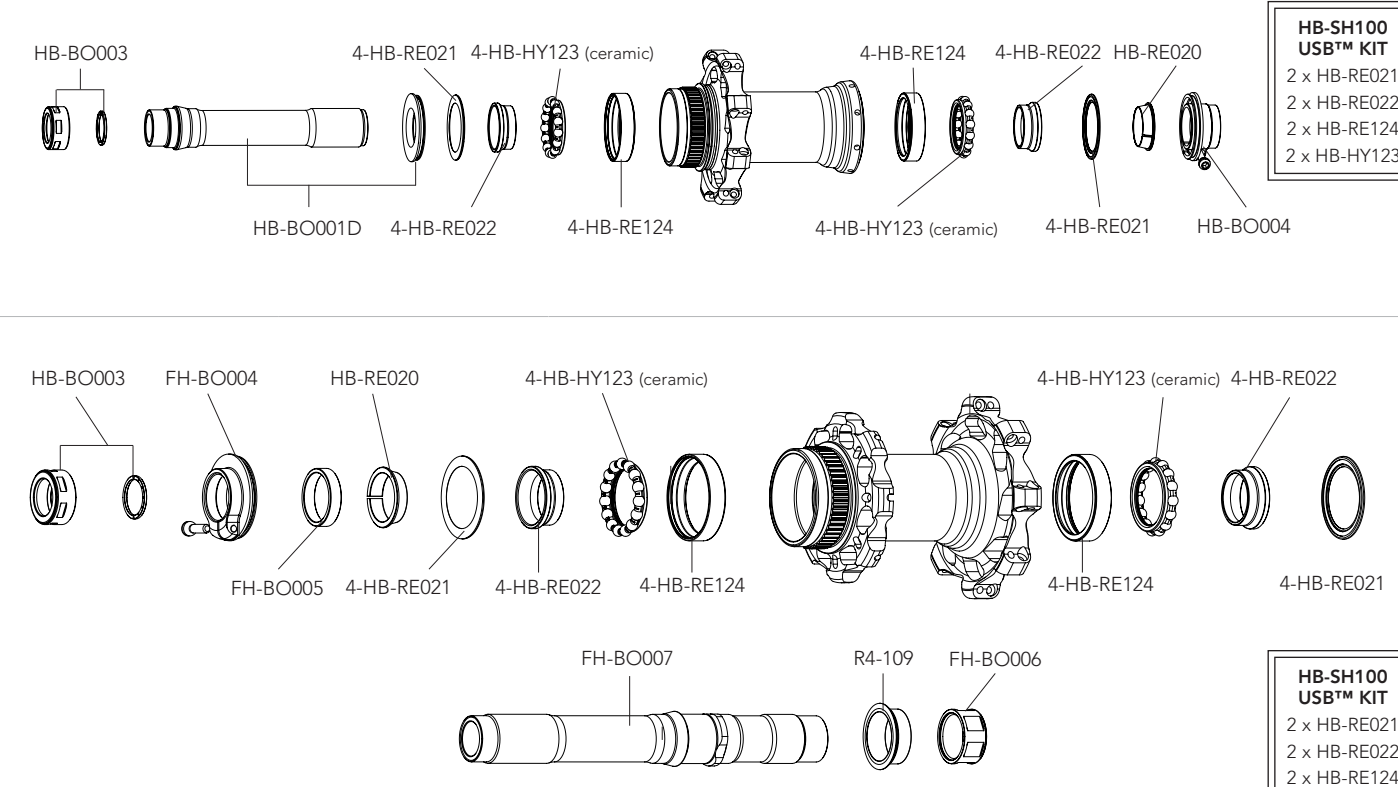
DB AFS - CLINCHER

RIM		
	RIM	WH-003BO135DB (bright) - WH-003BO135DBDK (dark)
	VALVE HOLE	6,5 mm
	VALVE HOLE BUSHING	WH-BUU002 (5 pcs.) 
	DIAMETER	700C (622 x 17C)

SPOKES		
FRONT LH / REAR RH L. 293	WH-017BO35DB	4 spokes + 4 nipples
FRONT RH L. 278	WH-016BO35DB	4 spokes + 4 nipples
REAR LH L. 268	WH-019BO35DB	4 spokes + 4 nipples
NIPPLES	WH-015BO80	black - 10 pieces
NIPPLE INSERT	UT-WH160	magnet-attractor for nipple
NIPPLE MAGNET	UT-WH050	nipple-guide
SPOKE SPANNER	UT-WH090	spoke wrenches

ACCESSORIES		
Spacer for HG11 FW body	FH-BUU001	5 pcs - to be used only with 9/10s sprockets <i>(please note that every HG11 rear wheel/FW body package contains the spacer)</i>
AFS™ locking	M1-101	to fix the rotor

HUBS

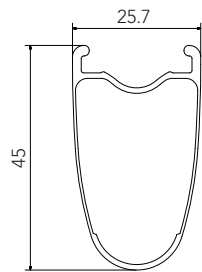



HB-SH100 USB™ KIT
 2 x HB-RE021
 2 x HB-RE022
 2 x HB-RE124
 2 x HB-HY123

HB-SH100 USB™ KIT
 2 x HB-RE021
 2 x HB-RE022
 2 x HB-RE124
 2 x HB-HY123

Complete FW body / Corpetti RL completi **FH-BUU015** (Campagnolo 9/12) - **FH-BO015X1** (HG 9/11) - **FH-BU016XDR** (XDR) See exploded view pag. 138

RIM



RIM	WH-03BWTO45DB (dark)
VALVE HOLE	6,5 mm
VALVE EXTENSION	UT-WH130M (male extension)
2-WAY FIT™ VALVE	WH-SH101
VALVE HOLE BUSHING	WH-BUU002 (5 pcs.) 
DIAMETER	700C (622 x 19C)

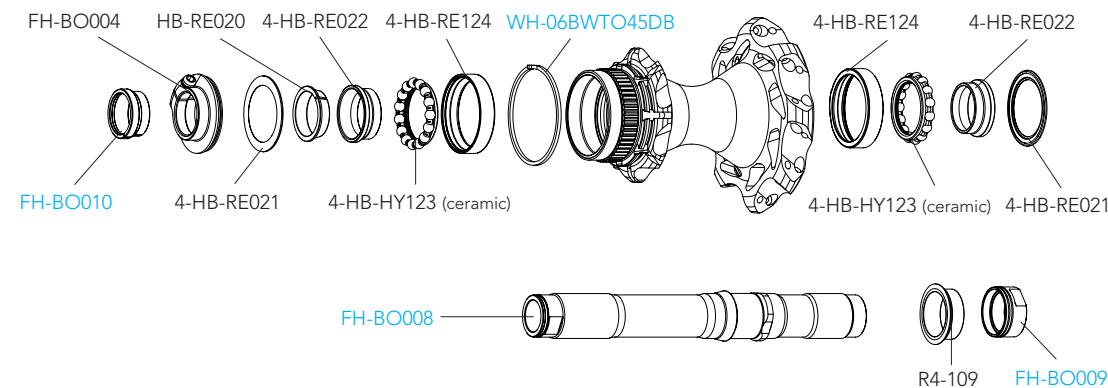
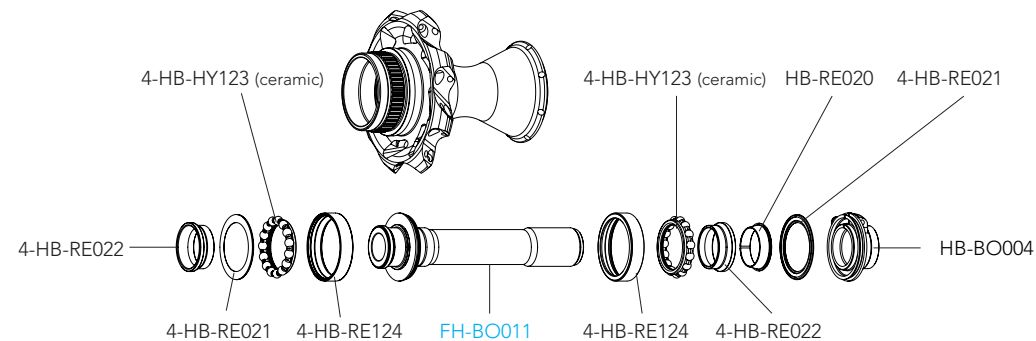
SPOKES

FRONT LH / REAR RH L. 280,5	WH-04BWTO45DB	4 spokes + 4 nipples
FRONT RH / REAR LH L. 261,5	WH-05BWTO45DB	4 spokes + 4 nipples
NIPPLES	WH-07BWTO45DB	black - 10 pieces
NIPPLE INSERT	UT-WH160	magnet-attractor for nipple
NIPPLE MAGNET	UT-WH050	nipple-guide
SPOKE SPANNER	UT-WH090	spoke wrenches

ACCESSORIES

Spacer for HG11 FW body	FH-BUU001	5 pcs - to be used only with 9/10s sprockets (please note that every HG11 rear wheel/FW body package contains the spacer)
AFS™ lockring	M1-101	to fix the rotor

HUBS



Complete FW body / Corpetti RL completi **FH-BUU015** (Campagnolo 9/12) - **FH-BO015X1** (HG 9/11) - **FH-BU016XDR** (XDR) See exploded view pag. 138

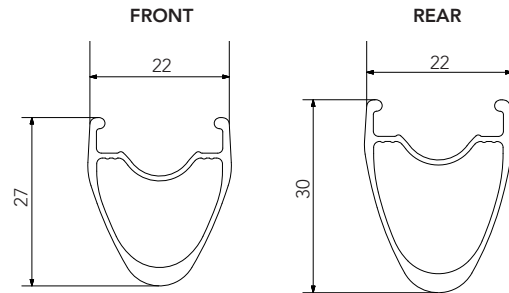
SHAMAL ULTRA


DB - CLINCHER

SHAMAL ULTRA

DB - FRONT QR + REAR QR
DB - FRONT HH12 + REAR HH12

RIM



FRONT RIM	WH-001SHDB (without labels)
REAR RIM	WH-002SHDB (without labels)
LABEL KIT	LAB-SHDB (front + rear) Bright
LABEL KIT	LAB-SHDBD (front + rear) Dark
FRONT TUBELESS VALVE	WH-SH101 (35 mm)
REAR TUBELESS VALVE	VA-2WF44 (44 mm)
VALVE HOLE	7,5 mm
VALVE HOLE BUSHING	5-WH-SH002 (5 pcs) 
DIAMETER	622 x 17C

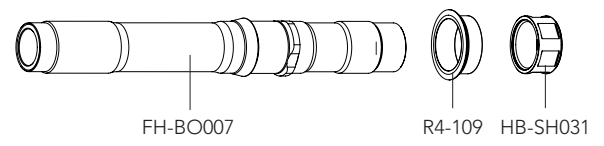
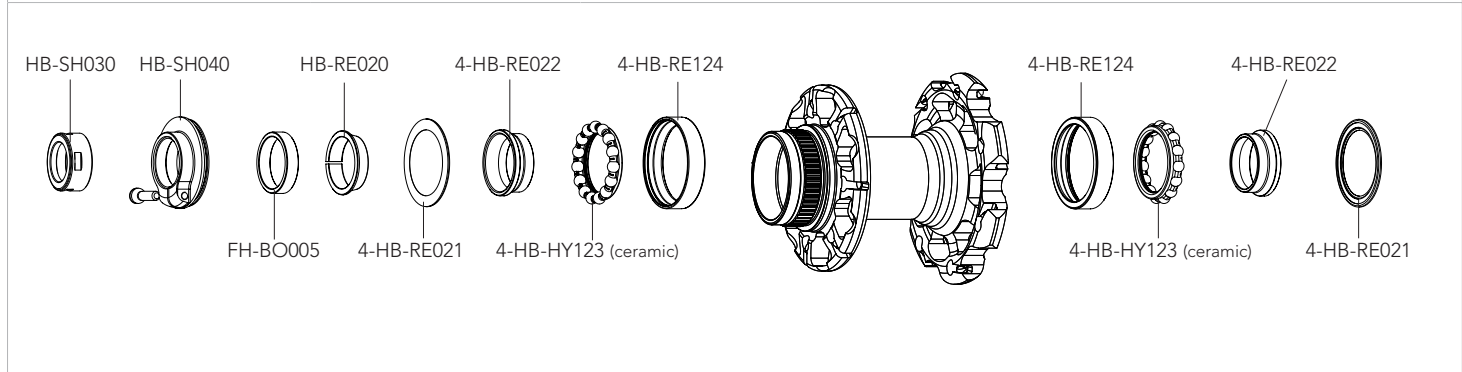
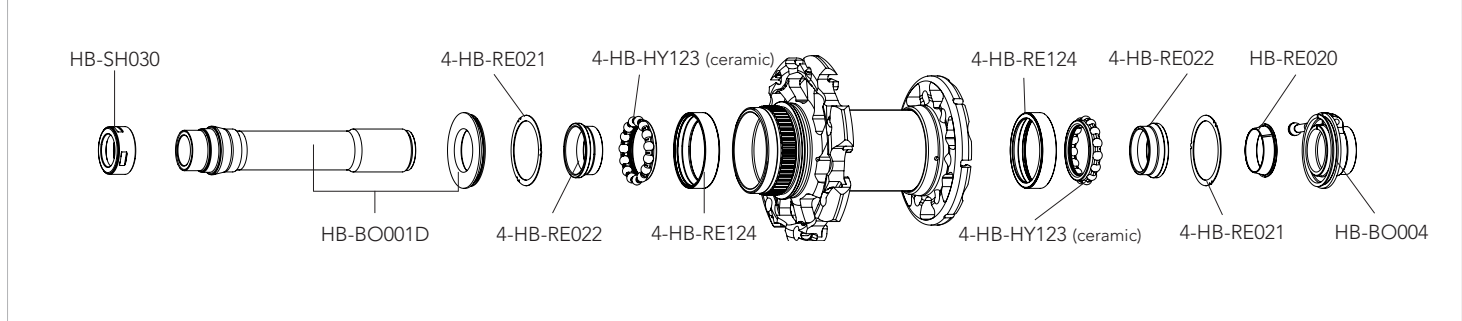
SPOKES

FRONT LH	WH-016SHDB	1 spoke + 1 nipple
FRONT RH	WH-017SHDB	1 spoke + 1 nipple
REAR RH	WH-018SHDB	1 spoke + 1 nipple
REAR LH	WH-019SHDB	1 spoke + 1 nipple
COMPLETE FRONT KIT	WH-020SHDBF	14 left and 7 right spokes
COMPLETE REAR KIT	WH-020SHDBR	7 left and 14 right spokes
NIPPLES	WH-019SHN	Black Aluminium nipple hex 6 mm (10 pcs)
NIPPLE INSERT	UT-WH110	magnet-attractor for nipple
NIPPLE MAGNET	UT-WH050	nipple guide

ACCESSORIES

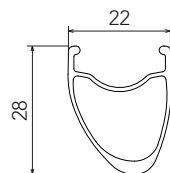
Spacer for HG11 FW body	FH-BUU001	5 pcs - to be used only with 9/10s sprockets <i>(please note that every HG11 rear wheel/FW body package contains the spacer)</i>
QUICK RELEASE	QR19-FRDB	F+R 135 mm QR SKEWER FOR DB WHEELS

HUBS



Complete FW body / Corpetti RL completi **FH-BUU015** (Campagnolo 9/12) - **FH-BO015X1** (HG 9/11) - **FH-BU016XDR** (XDR) See exploded view pag. 138

RIM



FRONT/REAR RIM	WH-003ZODB (with labels)
LABEL KIT	LAB-ZOCDB17 (for a pair of front+rear wheels)
VALVE HOLE DIAMETER	6,5 mm
	622 X 17C

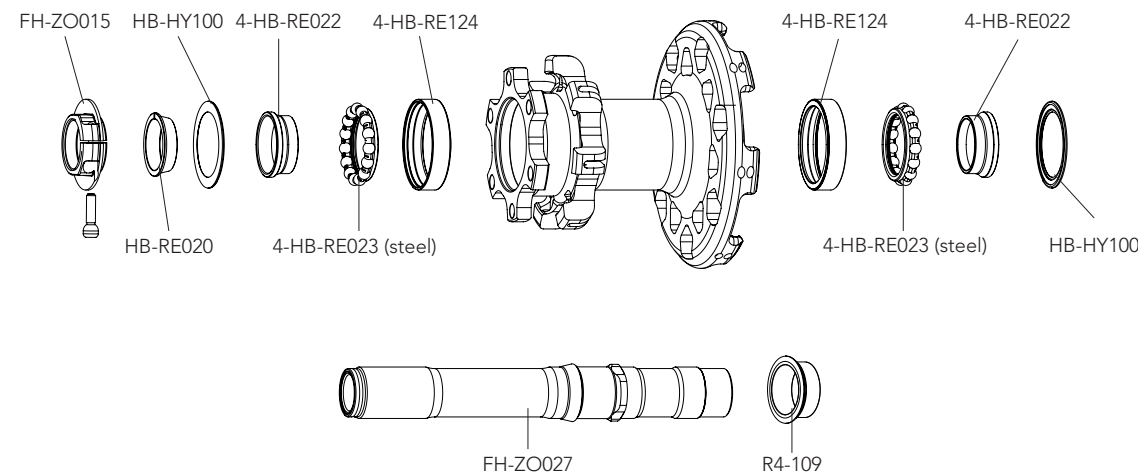
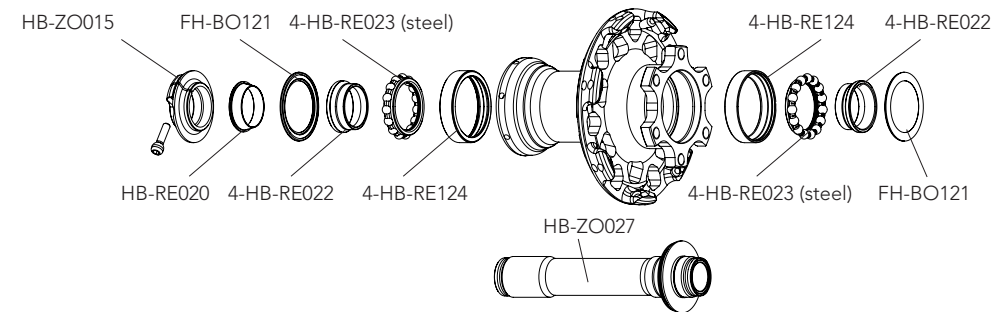
SPOKES

FRONT LH / REAR RH SPOKE	WH-016ZODB	4 spokes + 4 nipples
FRONT RH SPOKE	WH-017ZODB	4 spokes + 4 nipples
REAR LH SPOKE	WH-019ZODB	4 spokes + 4 nipples
NIPPLES	50-WH-015ZO	50 pieces
NIPPLE INSERT	UT-WH035	magnet-attractor for nipple
NIPPLE MAGNET	UT-WH050	nipple-guide

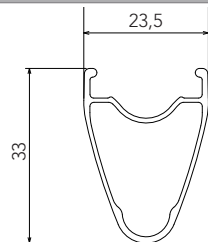
ACCESSORIES

Spacer for HG11 FW body	FH-BUU001	5 pcs - to be used only with 9/10s sprockets <i>(please note that every HG11 rear wheel/HG11 FW body package contains the spacer)</i>
QUICK-RELEASES	QR17-ZODBFK QR17-ZODBRK	front quick-release + kit QR rear quick-release + kit QR

HUBS



RIM



LABEL KIT	LAB-SCDB19 (for a pair of front+rear wheels)
RIM TAPE	2-WH-RT13 (2 pcs)
TUBELESS VALVE	VA-2WF44
VALVE HOLE	6,5 mm
DIAMETER	622 X 19C

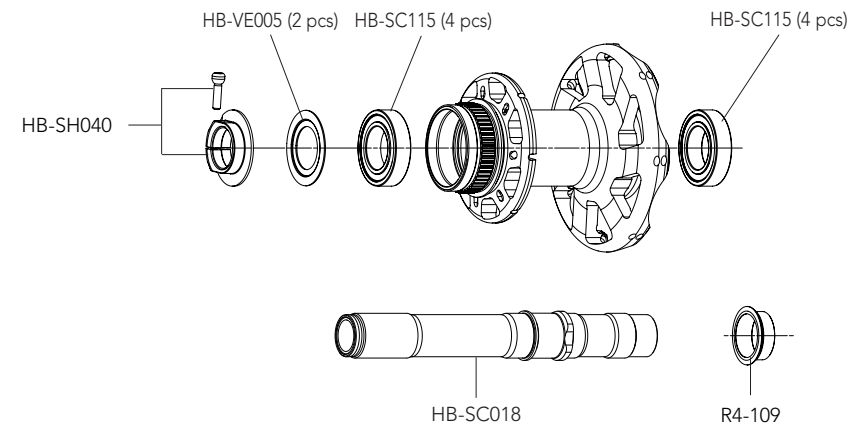
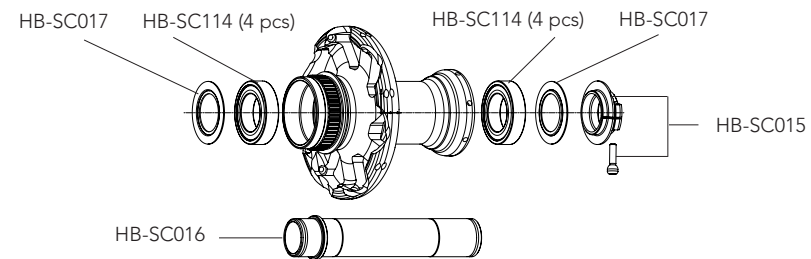
SPOKES

FRONT SPOKE	WH-016SCDB	4 spokes + 4 nipples
REAR RH SPOKE	WH-017SCDB	4 spokes + 4 nipples
REAR LH SPOKE	WH-018SCDB	4 spokes + 4 nipples

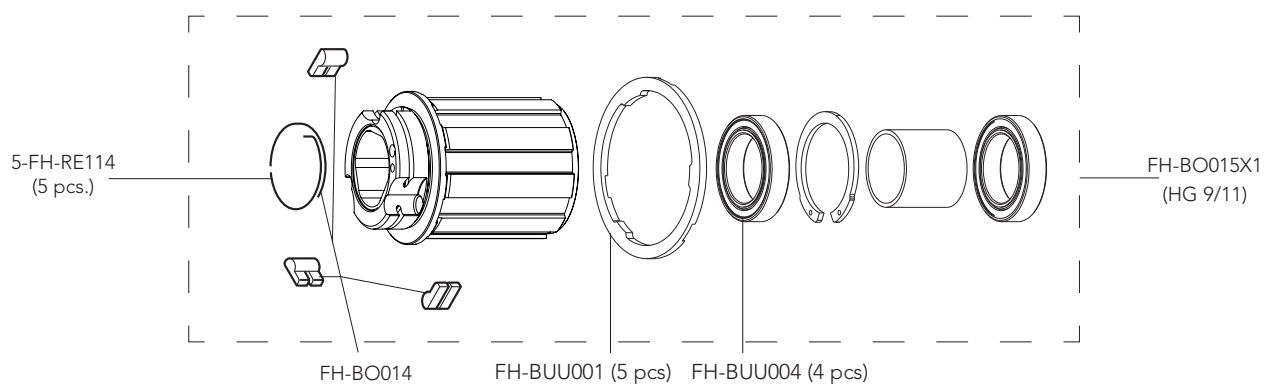
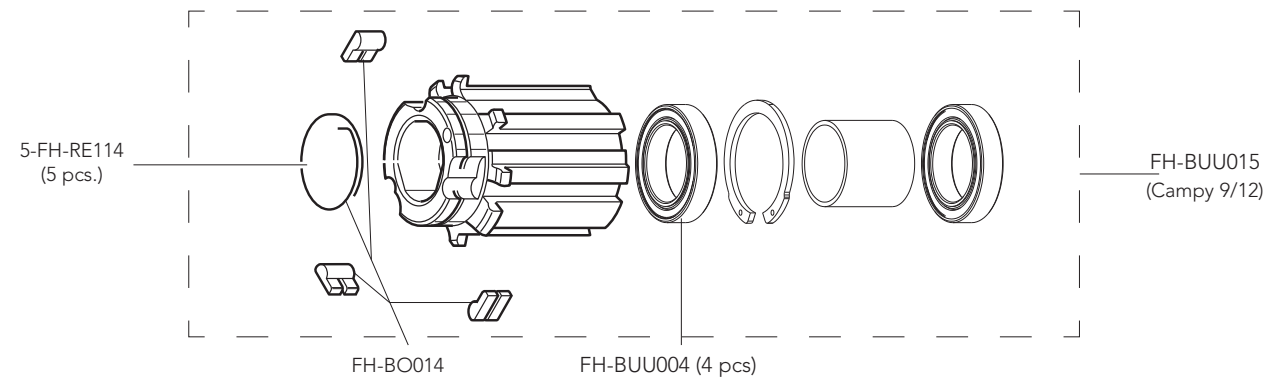
ACCESSORIES

Spacer for HG11 FW body	FH-BUU001	5 pcs - to be used only with 9/10s sprockets <i>(please note that every HG11 rear wheel/FW body package contains the spacer)</i>
QUICK RELEASE	QR19-FRDB	Front + Rear 135 mm QR SKEWER FOR DB WHEELS

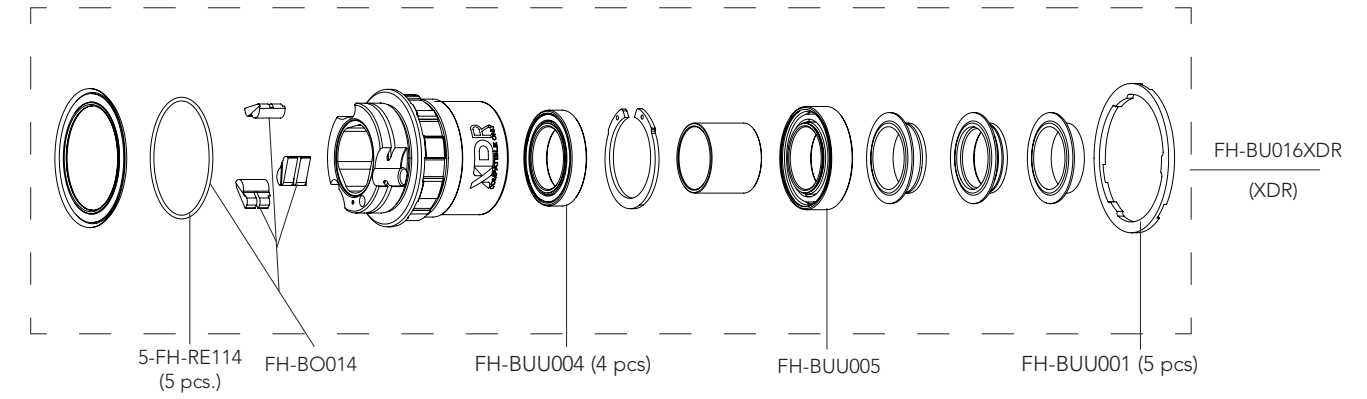
HUBS



FW BODIES ROAD WHEELS



FW BODIES ROAD WHEELS

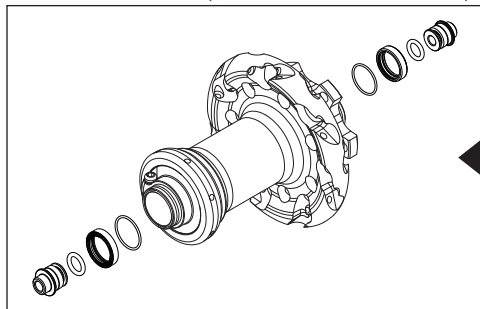


DB WHEELS - adapters for front axles

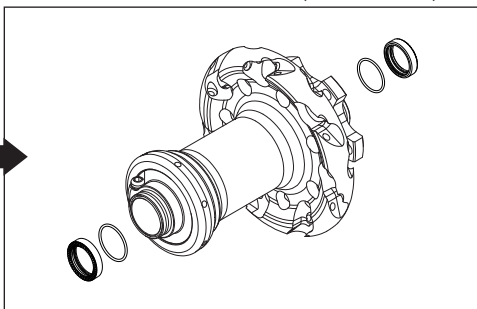
DB WHEELS - adapters for rear axles

ZONDA DB

QR Ø9 mm - 100 mm (KITFCFAQR + KITFCRA12135)

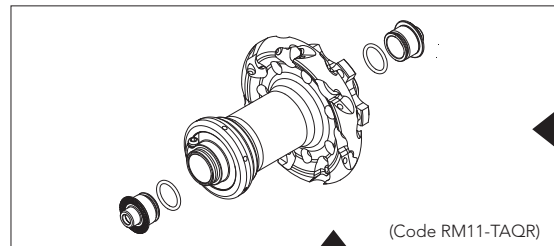


Ø12mm THRU-AXLE - 100mm (KITFCRA12135)



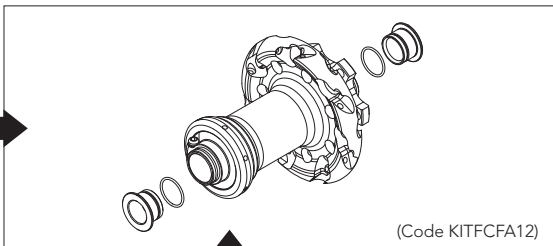
SCIROCCO DB

QR Ø 9mm - 100 mm



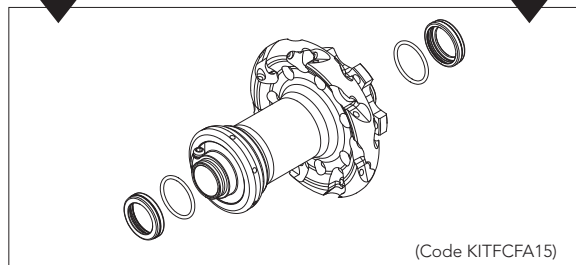
(Code RM11-TAQR)

Ø 12mm THRU-AXLE - 100 mm



(Code KITFCFA12)

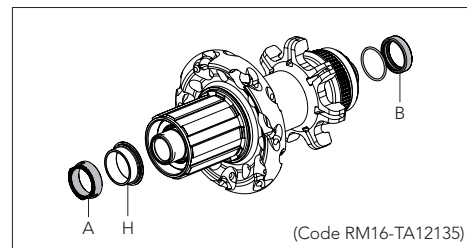
Ø 15mm THRU-AXLE - 100 mm



(Code KITFCFA15)

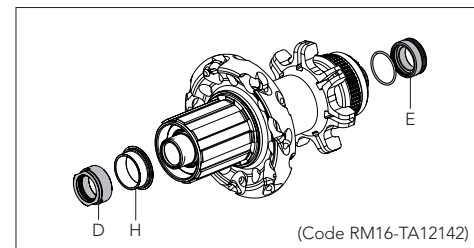
ZONDA DB / SCIROCCO DB

Ø12mm THRU-AXLE- 135 mm



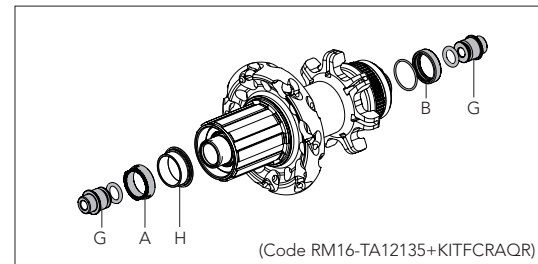
(Code RM16-TA12135)

Ø12mm THRU-AXLE - 142 mm



(Code RM16-TA12142)

QR Ø 10 mm - 135 mm



(Code RM16-TA12135+KITFCRAQR)

A	5,6 mm
B	4,25 mm
D	9,1 mm
E	7,75 mm
G	15,5 mm
H*	7,4 mm
H*: code R4-109 (NOT INCLUDED)	

A + B =	code RM16-TA12135
D + E =	code RM16-TA12142
G + G =	code KITFCRAQR

QUICK-RELEASES

MEDIUM-PROFILE WHEELS		
KHAMSIN™ ASYMMETRIC™		QR8-40BFR
SCIROCCO™		QR12-ZOBFR
ZONDA™		QR12-ZOBFR
SHAMAL™ ULTRA™		QR13-80FR
SHAMAL™ MILLE		QR13-80FR
CARBON HIGH-PROFILE WHEELS		
BORA™ ONE		QR12-BUUBFR
BORA™ ULTRA™		QR12-BUUBFR
BORA™ WTO		QR12-BUUBFR
BORA™ ULTRA™ TT		QR12-BUUBFR
DISC BRAKE WHEELS		
BORA™ ONE 50 DB		QR17-ZOZBFK (front + kit HH=>QR)
BORA™ ONE 35 DB		QR17-ZOZBRK (rear + kit HH=>QR)
BORA™ WTO 40 DB		QR17-ZOZBFK (front + kit HH=>QR)
ZONDA™ DB		QR17-ZOZBFK (front + kit HH=>QR) - QR17-ZOZBRK (rear + kit HH=>QR)
SCIROCCO™ DB		QR19-FRDB
SHAMAL™ ULTRA™ DB		QR19-FRDB

QR12-BUUBFR (front+rear)



QR8-40BFR (front+rear)



QR12-ZOBFR (front+rear)
QR17-ZOZBFK (front + kit HH=>QR)
QR17-ZOZBRK (rear + kit HH=>QR)



QR13-80FR (front+rear)



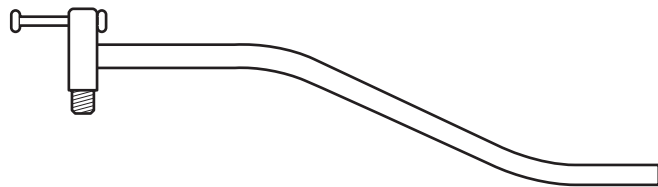
VALVE EXTENSIONS

Your wheels are supplied with valve extensions that correspond to depth of the rim as follows:

PROFILE RIM	MALE VALVE ADAPTER (SUPPLIED)		
<p>Verificate secondo la lunghezza della valvola (della camera d'aria o del tubolare) e l'altezza del profilo del cerchio, quale sia la prolunga adatta alle vostre esigenze</p> <p>Check what extension you need according to the length of the valve (inner tube or tubular tyre) and height of the rim profile</p>	UT-WH130M	L = 35 mm	
	UT-WH140M	L = 65 mm	
	UT-WH150M	L = 90 mm	
	UT-HU150	L = 40 mm	
	UT-WH160M	L = 74 mm	

PROFILE RIM	FEMALE VALVE ADAPTER (OPTION)		
<p>Verificate secondo la lunghezza della valvola (della camera d'aria o del tubolare) e l'altezza del profilo del cerchio, quale sia la prolunga adatta alle vostre esigenze</p> <p>Check what extension you need according to the length of the valve (inner tube or tubular tyre) and height of the rim profile</p>	UT-WH130F	L = 37 mm	
	UT-WH140F	L = 67 mm	
	UT-WH150F	L = 92 mm	
	UT-WH160F	L = 80 mm	

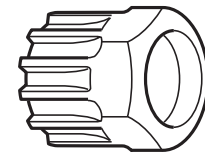
USE AIR CHAMBERS (INNER TUBES) WITH A LONG VALVE (AT LEAST 35 mm).



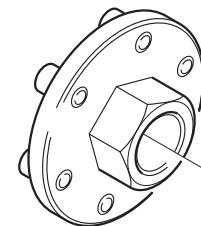
UT-VS030
 Riscontro allineamento occhiello attacco cambio
 Rear derailleur hanger alignment tool



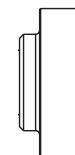
UT-FD120
 Dima per corretto posizionamento deragliatore (2 pz - per Z50 e Z52)
 Front derailleur alignment tool (2 pcs - for Z50 and Z52)



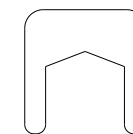
UT-BB080 (1 pz.) - 10-UT-BB080 (10 pz.):
 Chiave per montaggio movimenti centrali CART e ghiera di chiusura pacchi pignoni
 Cartridge bottom bracket and sprocket cassette- lock ring remover



UT-BB100
 Utensile per movimenti a cartuccia Daytona/Centaur™, Veloce™ e Mirage™
 Tool for Daytona/Centaur™, Veloce™ and Mirage™ cartridge bottom bracket



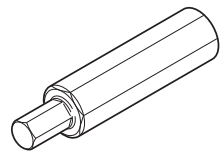
UT-FC090
 Inserto per estrattore pedivella sinistra POWER TORQUE™
 Insert for left POWER TORQUE™ crank extractor



UT-FC095
 Protezione per estrazione pedivella sx POWER TORQUE™
 (5 pz)
 shield f. left POWER TORQUE™ crank extractor insert (5 pcs)

CRANKSET

BRAKES

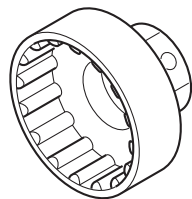


UT-BB110

Utensile per vite fissaggio guarnitura ULTRA-TORQUE™
Tool for ULTRA-TORQUE™ crankset fixing screw

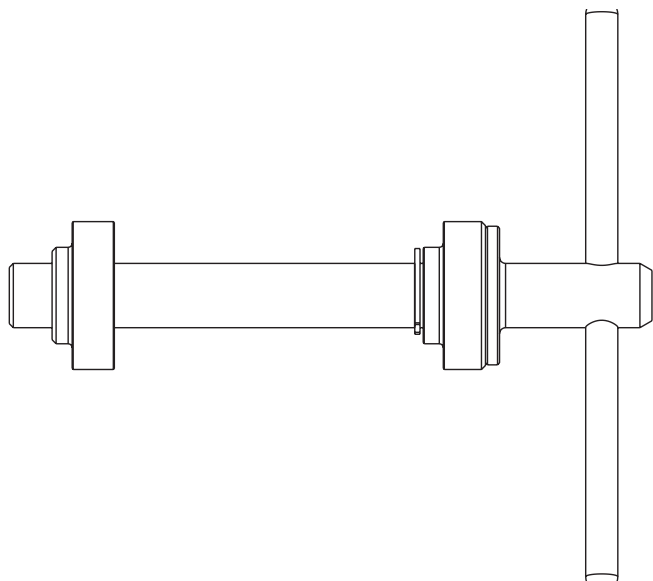
UT-BB130

Chiave per calotte esterne guarnitura / ghiera AFS™
Tool for crankset overboard cups / AFS™ lockring

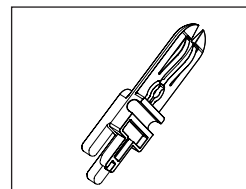


UT-BB240

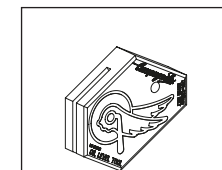
Utensile per piantaggio calotte integrate OS-Fit™
Tool for OS-Fit™ crankset overboard cups



DISC BRAKES

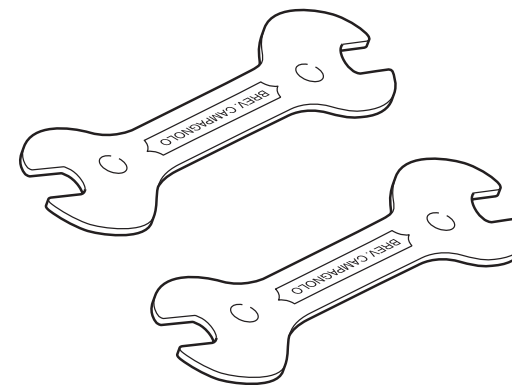


Attrezzo da trasporto /
Transportation block
DB-001 (10 pcs)



Attrezzo livello olio /
Oil level tool
UT-DB010

RIM BRAKES

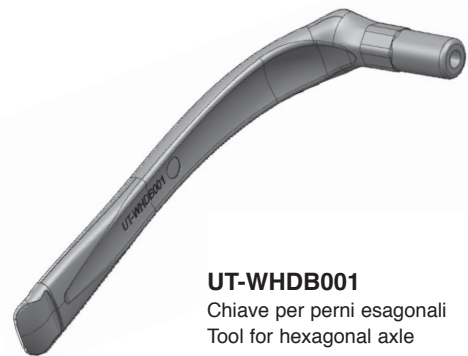


UT-BR010

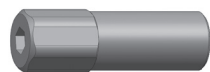
Coppia chiavi 13-14 per registrazione freni e coni mozzi
Pair of 13-14 mm spanners for adjusting brakes and hub cones

WHEELS

WHEELS

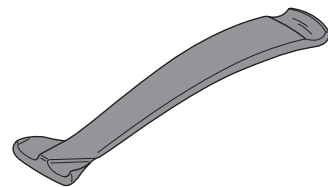
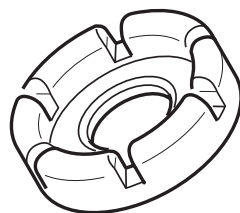


UT-WHDB001
Chiave per perni esagonali
Tool for hexagonal axle

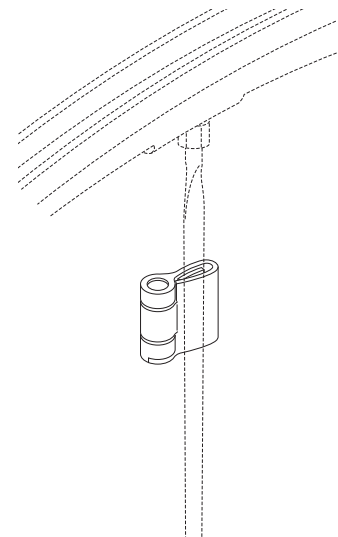


UT-WHDB002
Inserto metallico per perni esagonali
Metallic insert for hexagonal axle

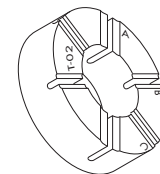
UT-HU050
Tiraraggi
Spoke wrench



WH-109HYC (6 pcs.)
Leva in composito per rimozione copertoncino
Composite lever for removing clinchers



UT-WH080
Magnete velocità per raggi SHAMAL™
ULTRA™
SPD magnet for SHAMAL™ ULTRA™
spokes



UT-WH020
Inserto nipplo attira-magnete per SHAMAL™ ULTRA / SHAMAL™ MILLE
Magnet-attracting nipple insert for SHAMAL™ ULTRA / SHAMAL™ MILLE

UT-WH035
Inserto nipplo attira-magnete per ZONDA™ 2012
Magnet-attracting nipple insert for ZONDA™ 2012

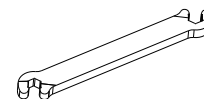
UT-WH160
Inserto nipplo attira-magnete per BORA ULTRA / BORA ULTRA TWO /
BORA ONE / BORA ONE DB / BORA WTO / BORA WTO DB
Magnet-attracting nipple insert for BORA ULTRA / BORA ULTRA
TWO / BORA ONE / BORA ONE DB / BORA WTO / BORA WTO DB

UT-WH110
Inserto nipplo attira-magnete per SHAMAL™ ULTRA DB / SHAMAL™
MILLE
Magnet-attracting nipple insert for SHAMAL™ ULTRA DB /
SHAMAL™ MILLE

UT-WH010
Anello anti-rotazione raggi
Spoke antirotation ring

UT-WH090
Chiave tiraraggi BORA ULTRA 80
Spoke wrench BORA ULTRA 80

UT-WH070
Chiave tiraraggi
Spoke wrench



UT-WH270
Chiave tiraraggi per SHAMAL MILLE MY2017 (Service Center Only)
Spoke wrench for SHAMAL MILLE MY2017 (Service Center Only)

UT-WH280
Chiave tiraraggi per BORA ONE / BORA ULTRA / BORA WTO /
ZONDA (Nipplo sez. quadrata - Service Center Only)
Spoke wrench for BORA ONE / BORA ULTRA / BORA WTO / ZONDA
(Square section nipple - Service Center Only)



WHEELS

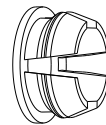


UT-WH050

Magnete guida-nipplo
Nipple guide magnet

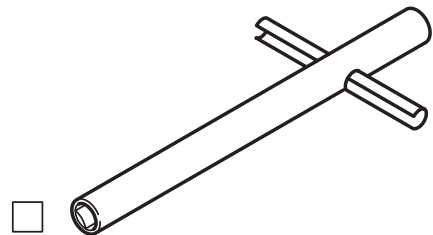
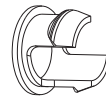
5-WH-SH002

Bussola riduzione sede valvola 2WF (5 pz)
Valve hole bushing for 2WF (5 pcs)



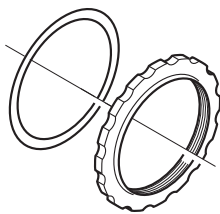
WH-BUU002

Bussola riduzione sede valvola BORA ULTRA 80 (5 pz)
Valve hole bushing for BORA ULTRA 80 (5 pcs)



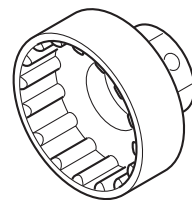
UT-HU060

Chiave per raggi ruote Bora™ (fino a gamma '02)
Bora™ wheel truing tool (till '02 range)



M1-101 (4 pcs.)

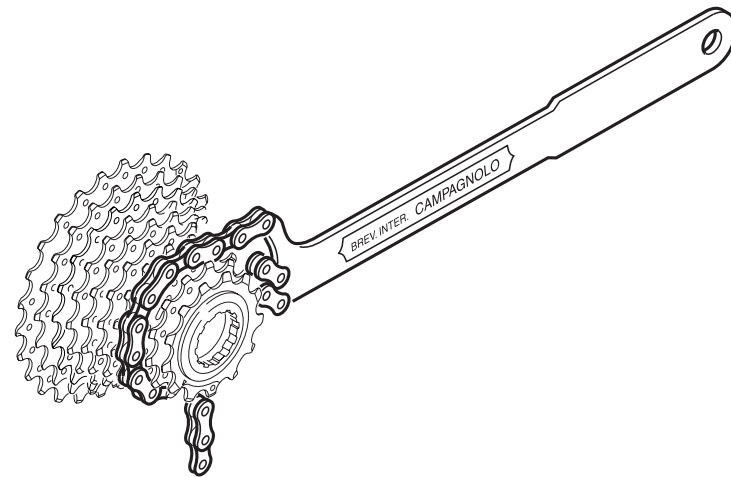
Ghiera AFS™
AFS™ locking



UT-BB130

Chiave per calotte esterne guarnitura / ghiera AFS™
Tool for crankset overboard cups / AFS™ locking

SPROCKETS



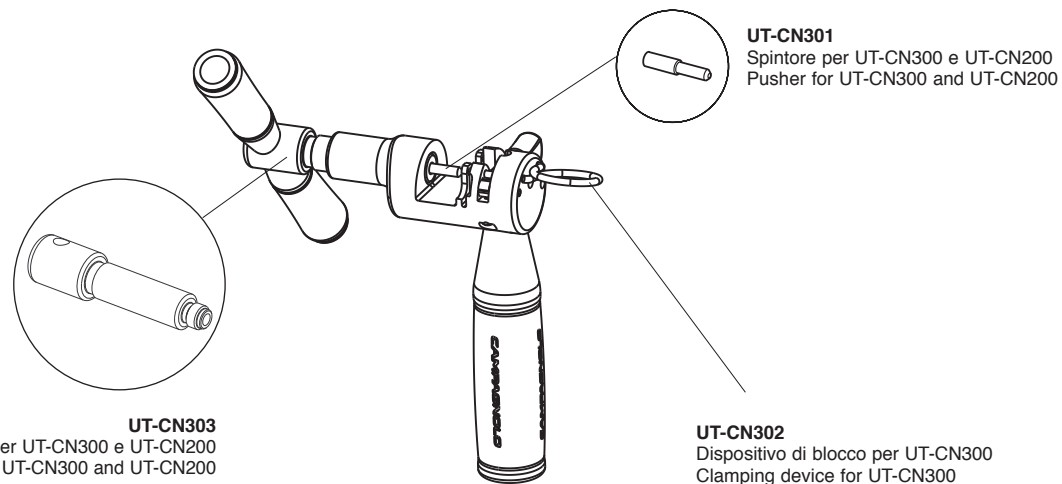
UT-CS060

Chiave con catena 10s per smontaggio pignoni 11s, 10s, 9s e 8s
Spanner with 10s chain for 11, 10, 9 and 8s sprockets

CHAIN

UT-CN300

Utensile per *Ultra-Link™* (solo catene 11s / 12s)
Tool for *Ultra-Link™* (11s / 12s chains only)



UT-CN303
Perno centrale per UT-CN300 e UT-CN200
Central axle for UT-CN300 and UT-CN200

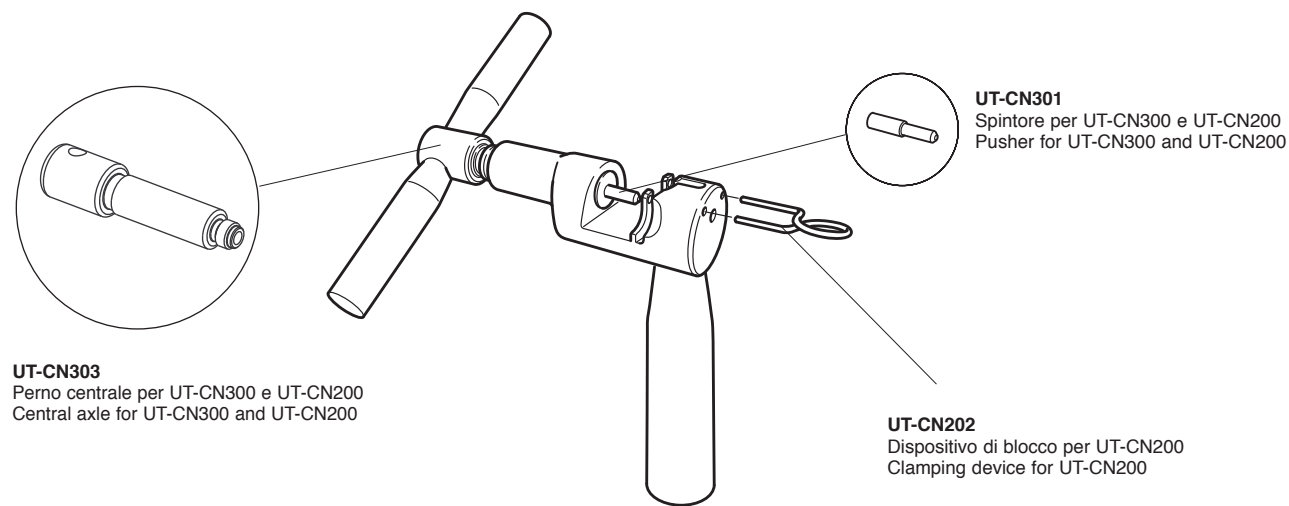
UT-CN302
Dispositivo di blocco per UT-CN300
Clamping device for UT-CN300

UT-CN301
Spintore per UT-CN300 e UT-CN200
Pusher for UT-CN300 and UT-CN200

CHAIN

CAMPY™ UT-CN200

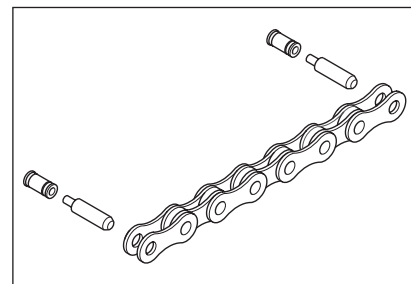
Utensile per *HD-Link™* (catene C10™ e C10™ Ultra Narrow™)
Tool for *HD-Link™* (C10™ and C10™ Ultra Narrow™ chains)



UT-CN303
Perno centrale per UT-CN300 e UT-CN200
Central axle for UT-CN300 and UT-CN200

UT-CN202
Dispositivo di blocco per UT-CN200
Clamping device for UT-CN200

UT-CN301
Spintore per UT-CN300 e UT-CN200
Pusher for UT-CN300 and UT-CN200

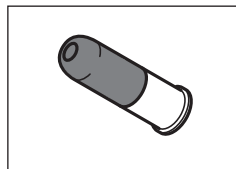


CN-RE400

HD-Link™ Ultra Narrow™ (5,9 mm) per catene C10™ Ultra Narrow™
HD-Link™ Ultra Narrow™ (5,9 mm) for C10™ Ultra Narrow™ chains

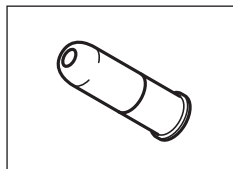
5-CN-RE500

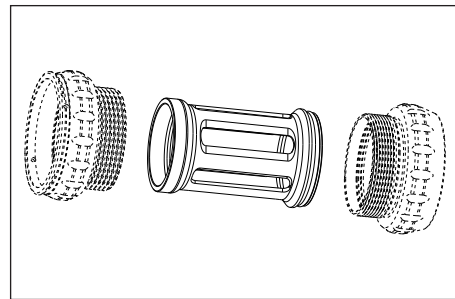
Ultra-Link™ per catene 11s (5 pz)
Ultra-Link™ for 11s chains only (5 pcs)



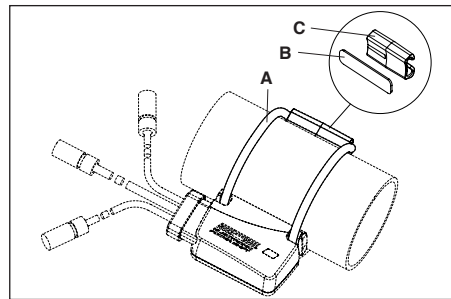
5-CN-SR600

Ultra-Link™ per catene 12s (5 pz)
Ultra-Link™ for 12s chains only (5 pcs)

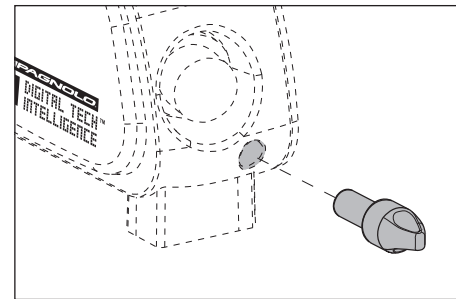




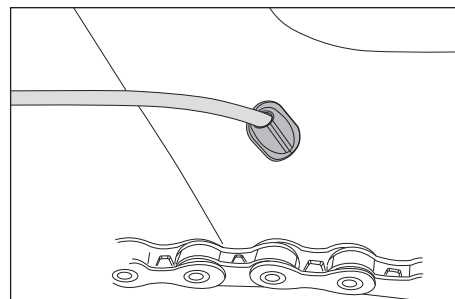
EPS-001
Cilindro guida-cavi
BB cable guide



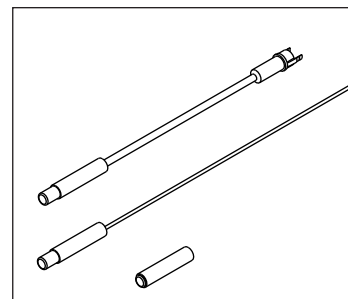
EPS-002
Accessori montaggio sistema di interfaccia (A+B+C)
Kit for interface assembly (A+B+C)



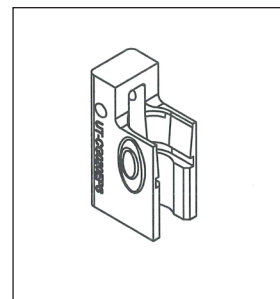
EPS-003
Magnete spegnimento sistema di potenza (5 pz.)
Switch-off magnet (5 pcs.)



CG-CS001EPS
Gommino passacavi (20 pz.)
Grommet for cables (20 pcs.)



UT-CG010EPS
Kit magneti passacavi SR-RE
Cable run magnet kit SR-RE



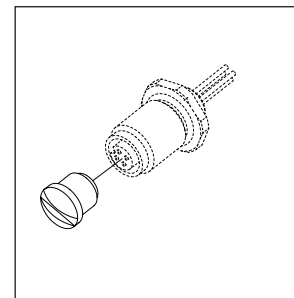
UT-CG020EPS
Attrezzo apri-connettori SR-RE
Connector disconnection tool SR-RE



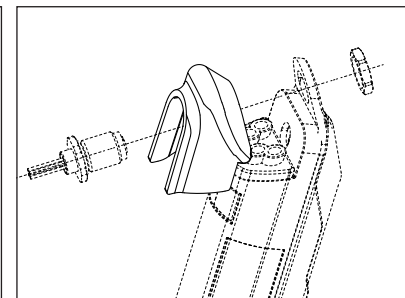
UT-CG120ATEPS
Attrezzo apri-connettori AT
Connector disconnection tool AT

CG-CS002EPS
Gommino passacavi per Power Unit (10 pz.)
Grommet for Power Unit cables (20 pcs.)

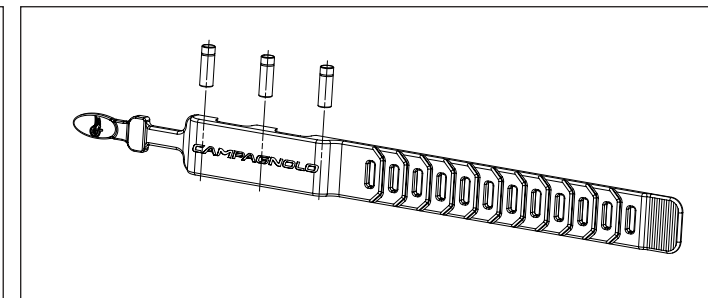
UT-CG010ATEPS
Kit magneti passacavi AT
Cable run magnet kit AT



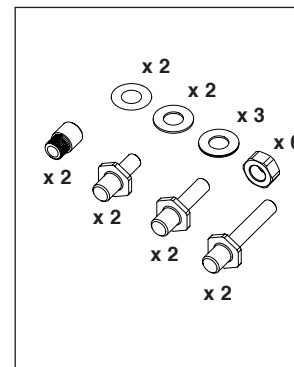
EPS-004
Tappo connettore carica batterie
PU EPS V2 (5 pz)
PU EPS V2 connector cup (inter-
nal mount) (5 pcs)



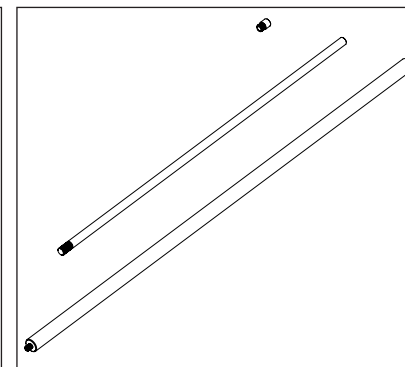
EPS-005
Cappuccio per installazione est. PU EPS V2
(5pz)
PU EPS V2 external mount connctor cap
(5pcs)



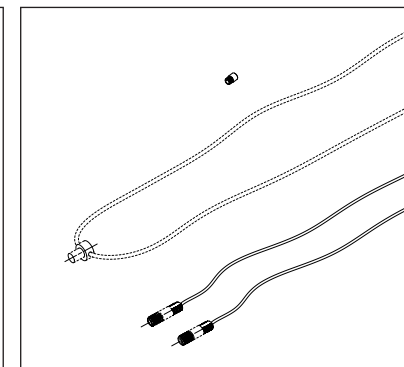
EPS-006
Fascia spegnimento magnetica
Magnetic power block strap



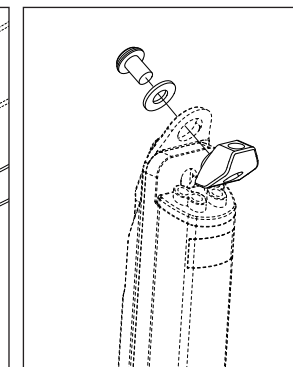
EPS-107
Kit viti Power Unit EPS V2 / V3
/ V4
EPS V2 / V3 / V4 Power Unit
screws kit



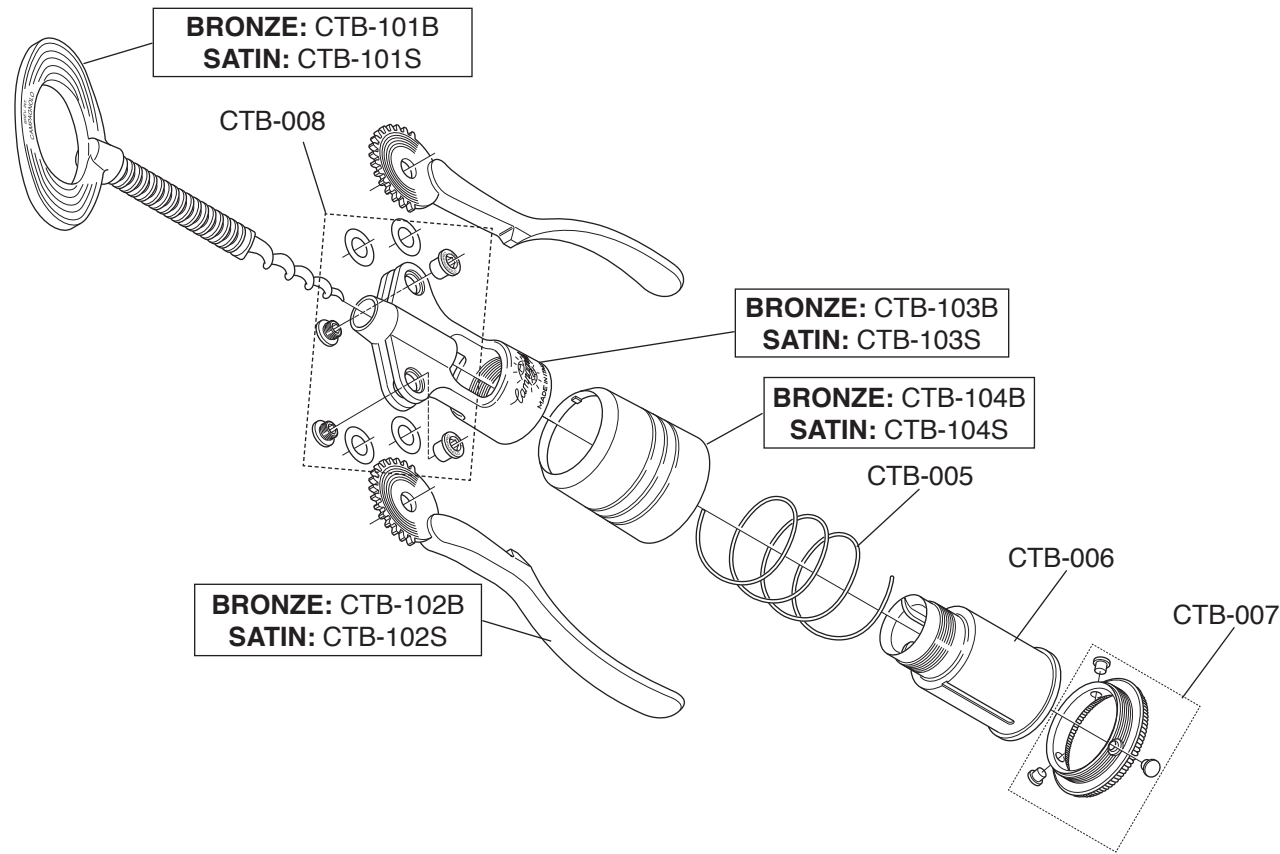
UT-PU010
Kit installazione interna PU EPS V2 /
V3 / V4
EPS V2 / V3 / V4 PU internal installation
tool



UT-PU030
Kit installazione tubo obliquo
PU EPS V2
EPS V2 PU down-tube
installation tool



UT-PU020
Adattatore per installazione
rovesciata PU EPS V2
EPS V2 PU internal upside-
down installation adapter



CAMPAGNOLO S.R.L.

Via della Chimica, 4
36100 Vicenza - ITALY
Tel. +39-0444-225500
Fax: +39-0444-225400
E-mail: sales@campagnolo.com

FRANCE

CAMPAGNOLO FRANCE SAS
ZA du Tissot - 42530 St GENEST -
LERPT
Tel. +33-477-556305
Fax: +33-477-556345
E-mail: campagnolo@campagnolo.fr

GERMANY

CAMPAGNOLO DEUTSCHLAND
GMBH
Alte Garten 62
51371 LEVERKUSEN
Tel. +49-214-206953-0
Fax: +49-214-206953-15
E-mail: campagnolo@campagnolo.de

JAPAN

CAMPAGNOLO JAPAN LTD
65 Yoshida-cho, Naka-ku,
YOKOHAMA
231-0041
Tel. +81-45-264-2780
Fax: +81-45-241-8030
E-mail: info@campagnolo.jp

SPAIN

CAMPAGNOLO IBERICA S.L.
Avda. de Los Huetos 46. pab, 3-2^a
fila
01010 VITORIA
Tel. +34-945-217195
Fax: +34-945-217198
E-mail: campagnolo@campagnolo.es

TAIWAN

PRIMATEK LTD
No. 4, Gongyequ 10th Rd., Nantue
Dist.,
TAICHUNG CITY 408 - TAIWAN
(R.O.C.)
Tel. +886-4-23506831
Fax: +886-4-23596764

UNITED STATES

CAMPAGNOLO NORTH AMERICA
INC.
5431 Avenida Encinas, Suite C -
CARLSBAD CA 92008 - U.S.A.
Tel. +1-760-9310106
Fax: +1-760-9310991
E-mail: info@campagnolona.com

BENELUX

INTERNATIONAL
CYCLE CONNECTION I.C.C.
Communicatielaan 5A
4538 BV TERNEUZEN
NEDERLANDS
Tel. + 31 (0)115 649321
Fax: + 31 (0)115 649110
E-mail: info@i-c-c.nl
Web: www.i-c-c.nl