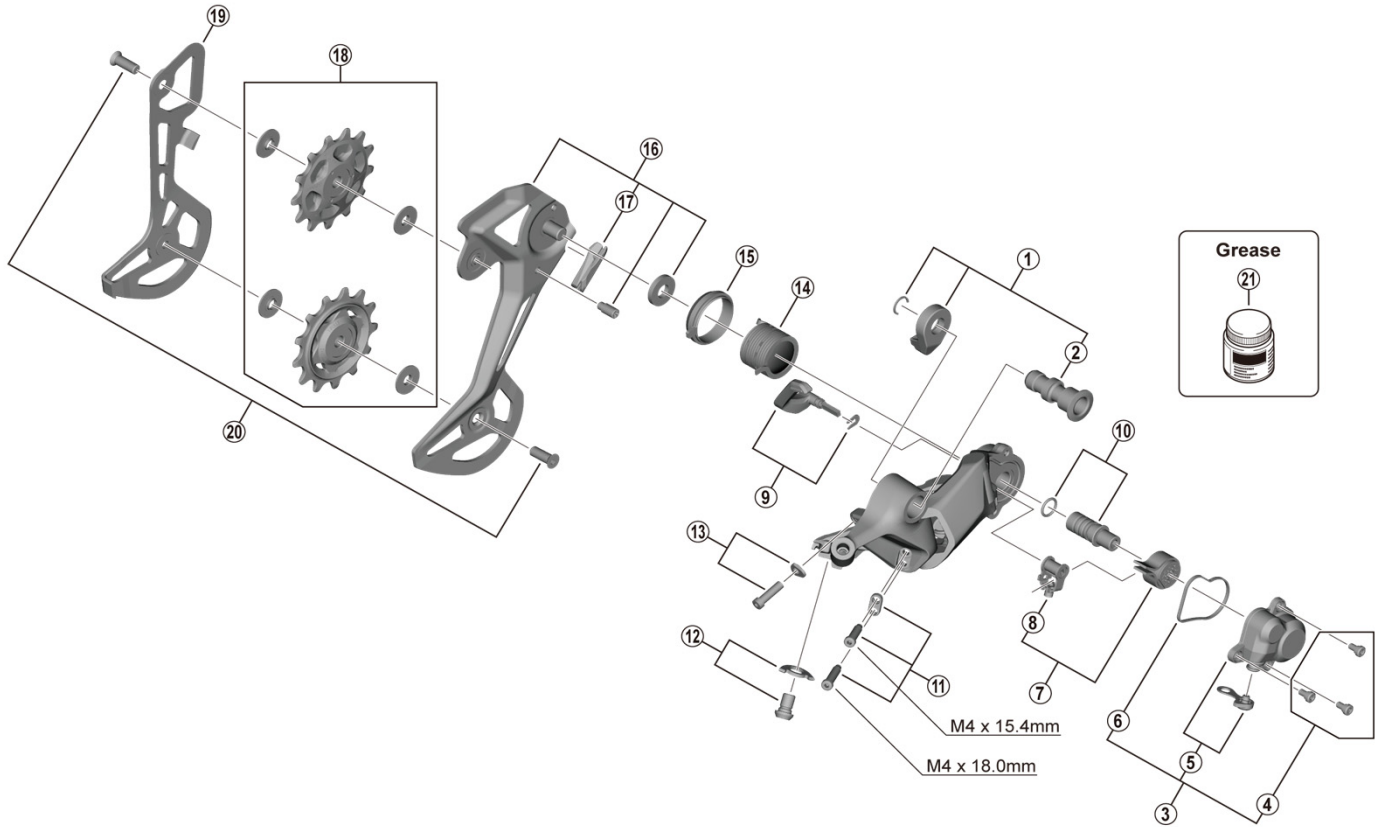


DEORE XT Rear Derailleur
RD-M8130-SGS 11-speed



ITEM NO.	SHIMANO CODE NO.	DESCRIPTION	INTERCHANGEABILITY	
1	Y3FW98020	Bracket axle unit	A	
2	Y3FW42000	B-axle	A	
3	Y3J598020	P-cover unit	B	
4	Y5Y198070	P-cover screw set (3 pcs.)	A	
5	Y3J598030	P-cover and cap	B	
6	Y3FA63000	P-cover packing	A	
7	Y3GF98040	Stabilizer unit	A	
8	Y3E498040	Cam unit	A	
9	Y3FA98040	Switch lever unit and fixing plate	A	
10	Y5PV98060	P-axle and O-ring	A	
11	Y3FW98050	Stroke adjusting screw and plate	A	
12	Y3FW98060	Cable fixing screw unit	A	
13	Y3FW98070	End adjust screw (M4 x 14.1) and plate	A	
14	Y3FA55000	P-tension spring	A	
15	Y3FA62000	P-seal ring	A	
16	Y3J598040	Outer plate assembly (SGS)		
17	Y3FW50000	Bumper	A	
18	Y3J598010	Tension and guide pulley set		
19	Y3J526000	Inner plate (SGS)	B	
20	Y3FW98090	Pulley screw (2 pcs.)	A	
21	Y04121000	New grease for stabilizer (Net. 50 g)	A	

A: Same parts.

B: Parts are usable, but differ in materials, appearance, finish, size, etc.

Absence of mark indicates non-interchangeability.

Specifications are subject to change without notice.

May-2021-4802

© Shimano Inc. I

SHIMANO